



High Air Pressure -Without Foot Valve DTH Hammer Code

DTH Hammer Without Foot Valve (i.e. MQL4A)

M	QL	4	A/S
Our Company: Maxdrill	Bit shank: D- DHD Bit Shank QL4- QL40 Bit Shank SD4-SD4 Bit Shank BR1-BR1 Bit Shank M-Mission Bit Shank N-NUMA Bit Shank	Inch: 4" hammer	A-Bit without foot valve S-Smaller size than general DTH Hammer

Decomposition	Item	Part Number	Description
	1	MBR1A01	Top Sub
	2	MBR1A02	Check Valve
	3	MBR1A03	Spring
	4	MBR1A04	Air Distributor
	5	MBR1A05	Internal Cylinder
	6	MBR1A06	Piston
	7	MBR1A07	External Cylinder
	8	MBR1A08	Guided Sleeve
	9	MBR1A09	"O" Ring of Stop Ring
	10	MBR1A10	Stop Ring
	11	MBR1A11	Drive Chuck
	12	MBR1A12	Drill Bit

Product Number

MBR1A

Technical Parameters

Length(Less bit)	760mm
Weight(Less bit)	10.00Kg
External Diameter	Ø54mm
Bit Shank	BR1
Hole Range	ø 64- ø 76
Connection Thread	RD 40 / BOX
Working Pressure	1.0-2.5Mpa
Impact Rate at 1.4Mpa	28HZ
Recommended Rotation Speed	25-40r/min
Air Consumption	145-350PSI 200-600CFM

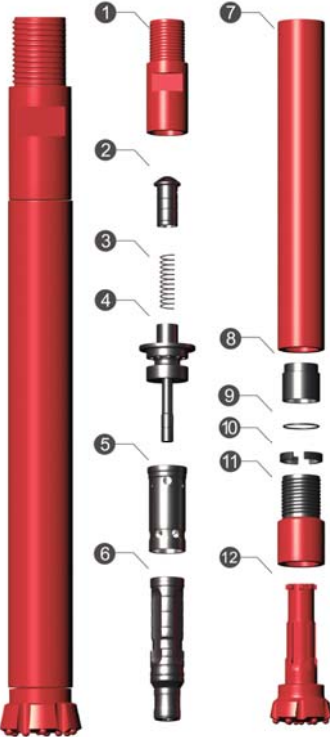
Decomposition	Item	Part Number	Description
	1	MBR2A01	Top Sub
	2	MBR2A02	Check Valve
	3	MBR2A03	Spring
	4	MBR2A04	Air Distributor
	5	MBR2A05	Internal Cylinder
	6	MBR2A06	Piston
	7	MBR2A07	External Cylinder
	8	MBR2A08	Guided Sleeve
	9	MBR2A09	"O" Ring of Stop Ring
	10	MBR2A10	Stop Ring
	11	MBR2A11	Drive Chuck
	12	MBR2A12	Drill Bit

Product Number

MBR2A

Technical Parameters

Length(Less bit)	880mm
Weight(Less bit)	14.50Kg
External Diameter	Ø62mm
Bit Shank	BR2
Hole Range	ø 70- ø 90
Connection Thread	RD 50 / BOX
Working Pressure	1.0-2.5Mpa
Impact Rate at 1.4Mpa	28HZ
Recommended Rotation Speed	25-40r/min
Air Consumption	145-350PSI 200-600CFM

Decomposition	Item	Part Number	Description
	1	MD25A01	Top Sub
	2	MD25A02	Check Valve
	3	MD25A03	Spring
	4	MD25A04	Air Distributor
	5	MD25A05	Internal Cylinder
	6	MD25A06	Piston
	7	MD25A07	External Cylinder
	8	MD25A08	Guided Sleeve
	9	MD25A09	"O" Ring of Stop Ring
	10	MD25A10	Stop Ring
	11	MD25A11	Drive Chuck
	12	MD25A12	Drill Bit

Product Number

MD25A

Technical Parameters

Length(Less bit)	872mm
Weight(Less bit)	16.00Kg
External Diameter	Ø71mm
Bit Shank	MD25
Hole Range	ø 76- ø 90
Connection Thread	T42 x 10 x 1.5
Working Pressure	1.0-2.5Mpa
Impact Rate at 1.5Mpa	28HZ
Recommended Rotation Speed	25-40r/min
Air Consumption	145-350PSI 200-600CFM

Decomposition	Item	Part Number	Description
	1	MD35A01	Top Sub
	2	MD35A02	"O" Ring of Top Sub
	3	MD35A03	Check Valve
	4	MD35A04	Spring
	5	MD35A05	Air Distributor
	6	MD35A06	Internal Cylinder
	7	MD35A07	Piston
	8	MD35A08	External Cylinder
	9	MD35A09	Guided Sleeve
	10	MD35A10	"O" Ring of Stop Ring
	11	MD35A11	Stop Ring
	12	MD35A12	Drive Chuck
	13	MD35A13	Drill Bit

Technical Parameters

Length(Less bit)	888mm
Weight(Less bit)	25.00Kg
External Diameter	Ø82mm
Bit Shank	IR3.5
Hole Range	ø 90- ø 115
Connection Thread	API 2 3/8" Reg
Working Pressure	1.0-2.5Mpa
Impact Rate at 1.5Mpa	28HZ
Recommended Rotation Speed	25-40r/min
Air Consumption	145-350PSI 200-600CFM

Product Number

MD35A

Decomposition	Item	Part Number	Description
	1	MD45A01	Top Sub
	2	MD45A02	"O" Ring of Top Sub
	3	MD45A03	Check Valve
	4	MD45A04	Spring
	5	MD45A05	Air Distributor
	6	MD45A06	Internal Cylinder
	7	MD45A07	Piston
	8	MD45A08	External Cylinder
	9	MD45A09	Guided Sleeve
	10	MD45A10	"O" Ring of Stop Ring
	11	MD45A11	Stop Ring
	12	MD45A12	Drive Chuck
	13	MD45A13	Drill Bit

Product Number

MD45A

Technical Parameters

Length(Less bit)	1011mm
Weight(Less bit)	43.20Kg
External Diameter	Ø99mm
Bit Shank	Cop44 / DHD340A
Hole Range	ø 110- ø 135
Connection Thread	API 2 3/8" Reg
Working Pressure	1.0-2.5Mpa
Impact Rate at 1.7Mpa	28HZ
Recommended Rotation Speed	25-40r/min
Air Consumption	145-350PSI 200-600CFM

Decomposition	Item	Part Number	Description
	1	MD45S01	Top Sub
	2	MD45S02	"O" Ring of Top Sub
	3	MD45S03	Check Valve
	4	MD45S04	Spring
	5	MD45S05	Air Distributor
	6	MD45S06	Internal Cylinder
	7	MD45S07	Piston
	8	MD45S08	External Cylinder
	9	MD45S09	Guided Sleeve
	10	MD45S10	"O" Ring of Stop Ring
	11	MD45S11	Stop Ring
	12	MD45S12	Drive Chuck
	13	MD45S13	Drill Bit

Product Number

MD45S

Technical Parameters

Length(Less bit)	986mm
Weight(Less bit)	37.00Kg
External Diameter	Ø92mm
Bit Shank	Cop44 / DHD340A
Hole Range	ø 105- ø 120
Connection Thread	API 2 3/8" Reg
Working Pressure	1.0-2.5Mpa
Impact Rate at 1.7Mpa	28HZ
Recommended Rotation Speed	25-40r/min
Air Consumption	145-350PSI 200-600CFM

Decomposition	Item	Part Number	Description
	1	MM4A01	Top Sub
	2	MM4A02	"O" Ring of Top Sub
	3	MM4A03	Check Valve
	4	MM4A04	Spring
	5	MM4A05	Compression Buffer
	6	MM4A06	Air Distributor
	7	MM4A07	Piston
	8	MM4A08	External Cylinder
	9	MM4A09	Guided Sleeve
	10	MM4A10	"O" Ring of Stop Ring
	11	MM4A11	Stop Ring
	12	MM4A12	Drive Chuck
	13	MM4A13	Drill Bit

Product Number

MM4A

Technical Parameters

Length(Less bit)	1005mm
Weight(Less bit)	40.00Kg
External Diameter	Ø99mm
Bit Shank	Mission40A
Hole Range	ø 110- ø 135
Connection Thread	API 2 3/8" Reg
Working Pressure	1.0-2.5Mpa
Impact Rate at 1.7Mpa	28HZ
Recommended Rotation Speed	25-40r/min
Air Consumption	145-350PSI 200-600CFM

Decomposition	Item	Part Number	Description
	1	MQL4A01	Top Sub
	2	MQL4A02	"O" Ring of Top Sub
	3	MQL4A03	Check Valve
	4	MQL4A04	Spring
	5	MQL4A05	Air Distributor
	6	MQL4A06	Internal Cylinder
	7	MQL4A07	Piston
	8	MQL4A08	External Cylinder
	9	MQL4A09	Guided Sleeve
	10	MQL4A10	"O" Ring of Stop Ring
	11	MQL4A11	Stop Ring
	12	MQL4A12	Drive Chuck
	13	MQL4A13	Drill Bit

Product Number

MQL4A

Technical Parameters

Length(Less bit)	1070mm
Weight(Less bit)	40.00Kg
External Diameter	Ø99mm
Bit Shank	QL40
Hole Range	ø 110- ø 135
Connection Thread	API 2 3/8" Reg
Working Pressure	1.0-2.5Mpa
Impact Rate at 1.7Mpa	28HZ
Recommended Rotation Speed	25-40r/min
Air Consumption	145-350PSI 200-600CFM

Decomposition	Item	Part Number	Description
	1	MD55A01	Top Sub
	2	MD55A02	"O" Ring of Top Sub
	3	MD55A03	Check Valve
	4	MD55A04	Spring
	5	MD55A05	Air Distributor
	6	MD55A06	Internal Cylinder
	7	MD55A07	Piston
	8	MD55A08	External Cylinder
	9	MD55A09	Guided Sleeve
	10	MD55A10	"O" Ring of Stop Ring
	11	MD55A11	Stop Ring
	12	MD55A12	Drive Chuck
	13	MD55A13	Drill Bit

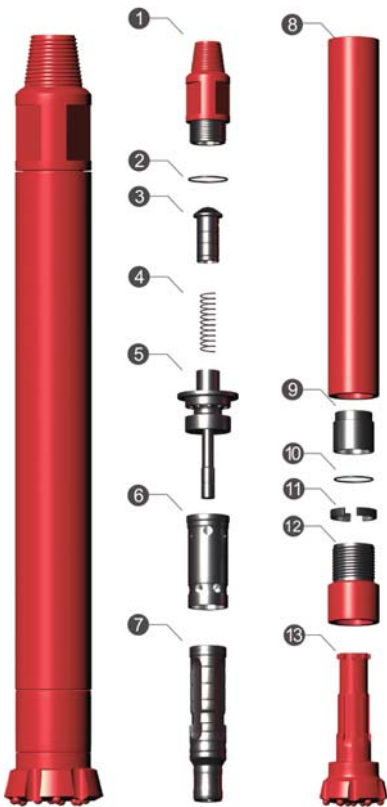
Product Number

MD55A

Technical Parameters

Length(Less bit)	1110mm
Weight(Less bit)	69.00Kg
External Diameter	Ø125mm
Bit Shank	Cop54 / DHD350R
Hole Range	ø 135- ø 155
Connection Thread	API 2 3/8" Reg API 3 1/2" Reg
Working Pressure	1.0-2.5Mpa
Impact Rate at 1.7Mpa	23HZ
Recommended Rotation Speed	20-30r/min
Air Consumption	145-350PSI 600-836CFM

Decomposition	Item	Part Number	Description
---------------	------	-------------	-------------



1	MD55S01	Top Sub
2	MD55S02	"O" Ring of Top Sub
3	MD55S03	Check Valve
4	MD55S04	Spring
5	MD55S05	Air Distributor
6	MD55S06	Internal Cylinder
7	MD55S07	Piston
8	MD55S08	External Cylinder
9	MD55S09	Guided Sleeve
10	MD55S10	"O" Ring of Stop Ring
11	MD55S11	Stop Ring
12	MD55S12	Drive Chuck
13	MD55S13	Drill Bit

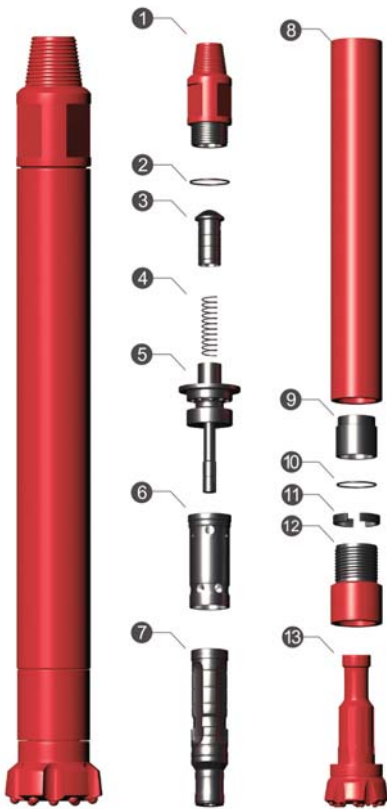
Product Number

MD55S

Technical Parameters

Length(Less bit)	1110mm
Weight(Less bit)	56.00Kg
External Diameter	Ø116mm
Bit Shank	Cop54 / DHD350R
Hole Range	ø 127- ø 145
Connection Thread	API 2 3/8" Reg API 3 1/2" Reg
Working Pressure	1.0-2.5Mpa
Impact Rate at 1.7Mpa	23HZ
Recommended Rotation Speed	20-30r/min
Air Consumption	145-350PSI 600-836CFM

Decomposition	Item	Part Number	Description
---------------	------	-------------	-------------



1	MM5A01	Top Sub
2	MM5A02	"O" Ring of Top Sub
3	MM5A03	Check Valve
4	MM5A04	Spring
5	MM5A05	Air Distributor
6	MM5A06	Internal Cylinder
7	MM5A07	Piston
8	MM5A08	External Cylinder
9	MM5A09	Guided Sleeve
10	MM5A10	"O" Ring of Stop Ring
11	MM5A11	Stop Ring
12	MM5A12	Drive Chuck
13	MM5A13	Drill Bit

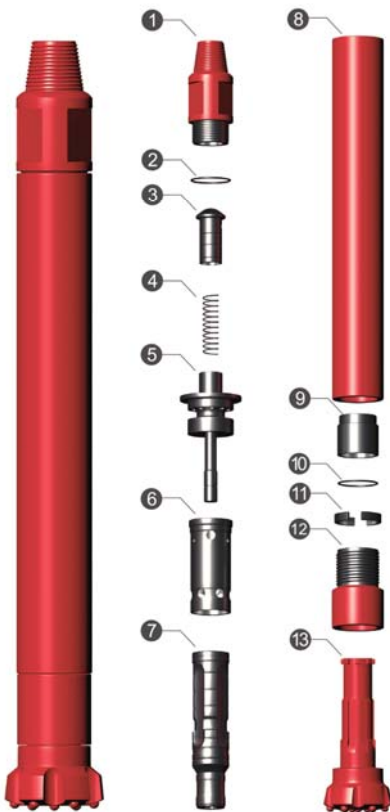
Technical Parameters

Length(Less bit)	1110mm
Weight(Less bit)	73.00Kg
External Diameter	Ø125mm
Bit Shank	Mission50A
Hole Range	ø 135- ø 155
Connection Thread	API 2 3/8" Reg API 3 1/2" Reg
Working Pressure	1.0-2.5Mpa
Impact Rate at 1.7Mpa	23HZ
Recommended Rotation Speed	20-30r/min
Air Consumption	145-350PSI 600-836CFM

Product Number

MM5A

Decomposition	Item	Part Number	Description
---------------	------	-------------	-------------



1	MSD5A01	Top Sub
2	MSD5A02	"O" Ring of Top Sub
3	MSD5A03	Check Valve
4	MSD5A04	Spring
5	MSD5A05	Air Distributor
6	MSD5A06	Internal Cylinder
7	MSD5A07	Piston
8	MSD5A08	External Cylinder
9	MSD5A09	Guided Sleeve
10	MSD5A10	"O" Ring of Stop Ring
11	MSD5A11	Stop Ring
12	MSD5A12	Drive Chuck
13	MSD5A13	Drill Bit

Technical Parameters

Length(Less bit)	1090mm
Weight(Less bit)	70.00Kg
External Diameter	Ø125mm
Bit Shank	SD5
Hole Range	ø 135- ø 155
Connection Thread	API 2 3/8" Reg API 3 1/2" Reg
Working Pressure	1.0-2.5Mpa
Impact Rate at 1.7Mpa	23HZ
Recommended Rotation Speed	20-30r/min
Air Consumption	145-350PSI 600-836CFM

Product Number

MSD5A

Decomposition	Item	Part Number	Description
	1	MQL5A01	Top Sub
	2	MQL5A02	"O" Ring of Top Sub
	3	MQL5A03	Check Valve
	4	MQL5A04	Spring
	5	MQL5A05	Air Distributor
	6	MQL5A06	Internal Cylinder
	7	MQL5A07	Piston
	8	MQL5A08	External Cylinder
	9	MQL5A09	Guided Sleeve
	10	MQL5A10	"O" Ring of Stop Ring
	11	MQL5A11	Stop Ring
	12	MQL5A12	Drive Chuck
	13	MQL5A13	Drill Bit

Product Number

MQL5A

Technical Parameters

Length(Less bit)	1090mm
Weight(Less bit)	67.00Kg
External Diameter	Ø125mm
Bit Shank	QL50
Hole Range	ø 135- ø 155
Connection Thread	API 2 3/8" Reg API 3 1/2" Reg
Working Pressure	1.0-2.5Mpa
Impact Rate at 1.7Mpa	23HZ
Recommended Rotation Speed	20-30r/min
Air Consumption	145-350PSI 600-836CFM

Decomposition	Item	Part Number	Description
	1	MD65A01	Top Sub
	2	MD65A02	"O" Ring of Top Sub
	3	MD65A03	Check Valve
	4	MD65A04	Spring
	5	MD65A05	Air Distributor
	6	MD65A06	Internal Cylinder
	7	MD65A07	Piston
	8	MD65A08	External Cylinder
	9	MD65A09	Guided Sleeve
	10	MD65A10	"O" Ring of Stop Ring
	11	MD65A11	Stop Ring
	12	MD65A12	Drive Chuck
	13	MD65A13	Drill Bit

Product Number

MD65A

Technical Parameters

Length(Less bit)	1238mm
Weight(Less bit)	99.00Kg
External Diameter	Ø148mm
Bit Shank	Cop64 / DHD360
Hole Range	ø 155- ø 203
Connection Thread	API 3 1/2" Reg
Working Pressure	1.0-2.5Mpa
Impact Rate at 1.7Mpa	23HZ
Recommended Rotation Speed	20-30r/min
Air Consumption	145-350PSI 600-836CFM

Decomposition	Item	Part Number	Description
	1	MM6A01	Top Sub
	2	MM6A02	"O" Ring of Top Sub
	3	MM6A03	Check Valve
	4	MM6A04	Spring
	5	MM6A05	Air Distributor
	6	MM6A06	Internal Cylinder
	7	MM6A07	Piston
	8	MM6A08	External Cylinder
	9	MM6A09	Guided Sleeve
	10	MM6A10	"O" Ring of Stop Ring
	11	MM6A11	Stop Ring
	12	MM6A12	Drive Chuck
	13	MM6A13	Drill Bit

Product Number

MM6A

Technical Parameters

Length(Less bit)	1161mm
Weight(Less bit)	94.00Kg
External Diameter	Ø146mm
Bit Shank	Mission60A
Hole Range	ø 155- ø 203
Connection Thread	API 3 1/2" Reg
Working Pressure	1.0-2.5Mpa
Impact Rate at 1.7Mpa	23HZ
Recommended Rotation Speed	20-30r/min
Air Consumption	145-350PSI 600-836CFM

Decomposition	Item	Part Number	Description
	1	MSD6A01	Top Sub
	2	MSD6A02	"O" Ring of Top Sub
	3	MSD6A03	Check Valve
	4	MSD6A04	Spring
	5	MSD6A05	Air Distributor
	6	MSD6A06	Internal Cylinder
	7	MSD6A07	Piston
	8	MSD6A08	External Cylinder
	9	MSD6A09	Guided Sleeve
	10	MSD6A10	"O" Ring of Stop Ring
	11	MSD6A11	Stop Ring
	12	MSD6A12	Drive Chuck
	13	MSD6A13	Drill Bit

Product Number

MSD6A

Technical Parameters

Length(Less bit)	1182mm
Weight(Less bit)	94.00Kg
External Diameter	Ø146mm
Bit Shank	SD6
Hole Range	ø 155- ø 203
Connection Thread	API 3 1/2" Reg
Working Pressure	1.0-2.5Mpa
Impact Rate at 1.7Mpa	23HZ
Recommended Rotation Speed	20-30r/min
Air Consumption	145-350PSI 600-836CFM

Decomposition	Item	Part Number	Description
	1	MQL6A01	Top Sub
	2	MQL6A02	"O" Ring of Top Sub
	3	MQL6A03	Check Valve
	4	MQL6A04	Spring
	5	MQL6A05	Air Distributor
	6	MQL6A06	Internal Cylinder
	7	MQL6A07	Piston
	8	MQL6A08	External Cylinder
	9	MQL6A09	Guided Sleeve
	10	MQL6A10	"O" Ring of Stop Ring
	11	MQL6A11	Stop Ring
	12	MQL6A12	Drive Chuck
	13	MQL6A13	Drill Bit

Product Number

MQL6A

Technical Parameters

Length(Less bit)	1183mm
Weight(Less bit)	96.50Kg
External Diameter	Ø148mm
Bit Shank	QL60
Hole Range	ø 155- ø 203
Connection Thread	API 3 1/2" Reg
Working Pressure	1.0-2.5Mpa
Impact Rate at 1.7Mpa	23HZ
Recommended Rotation Speed	20-30r/min
Air Consumption	145-350PSI 600-836CFM

Decomposition	Item	Part Number	Description
	1	MW7A01	Top Sub
	2	MW7A02	"O" Ring of Top Sub
	3	MW7A03	Check Valve
	4	MW7A04	Spring
	5	MW7A05	Air Distributor
	6	MW7A06	Internal Cylinder
	7	MW7A07	Piston
	8	MW7A08	External Cylinder
	9	MW7A09	Piston Retaining Rin
	10	MW7A10	Guided Sleeve
	11	MW7A11	Piston Retaining Rin
	12	MW7A12	Stop Ring
	13	MW7A13	Drive Chuck
	14	MW7A14	Drill Bit

Product Number

MW7-A

Technical Parameters

Length(Less bit)	1188mm
Weight(Less bit)	132.00Kg
External Diameter	Ø165mm
Bit Shank	MK70A
Hole Range	ø 175- ø 216
Connection Thread	API 3 1/2" Reg
Working Pressure	1.0-2.5Mpa
Impact Rate at 1.7Mpa	23HZ
Recommended Rotation Speed	20-30r/min
Air Consumption	145-350PSI 600-836CFM

Decomposition	Item	Part Number	Description
	1	MD85A01	Top Sub
	2	MD85A02	"O" Ring of Top Sub
	3	MD85A03	Breakout Ring
	4	MD85A04	Check Valve
	5	MD85A05	Spring
	6	MD85A06	Air Distributor
	7	MD85A07	Internal Cylinder
	8	MD85A08	Piston
	9	MD85A09	External Cylinder
	10	MD85A10	Guided Sleeve
	11	MD85A11	"O" Ring of Stop Ring
	12	MD85A12	Stop Ring
	13	MD85A13	Breakout Ring
	14	MD85A14	Drive Chuck
	15	MD85A15	Drill Bit

Product Number

MD85A

Technical Parameters

Length(Less bit)	1359mm
Weight(Less bit)	185.00Kg
External Diameter	Ø185mm
Bit Shank	Cop84 / DHD380
Hole Range	ø 195- ø 254
Connection Thread	API 4 1/2" Reg
Working Pressure	1.0-2.5Mpa
Impact Rate at 1.7Mpa	20HZ
Recommended Rotation Speed	15-25r/min
Air Consumption	145-350PSI 836-1150CFM

Decomposition	Item	Part Number	Description
	1	MSD8A01	Top Sub
	2	MSD8A02	"O" Ring of Top Sub
	3	MSD8A03	Breakout Ring
	4	MSD8A04	Check Valve
	5	MSD8A05	Spring
	6	MSD8A06	Air Distributor
	7	MSD8A07	Internal Cylinder
	8	MSD8A08	Piston
	9	MSD8A09	External Cylinder
	10	MSD8A10	Guided Sleeve
	11	MSD8A11	"O" Ring of Stop Ring
	12	MSD8A12	Stop Ring
	13	MSD8A13	Breakout Ring
	14	MSD8A14	Drive Chuck
	15	MSD8A15	Drill Bit

Product Number

MSD8A

Technical Parameters

Length(Less bit)	1330mm
Weight(Less bit)	174.00Kg
External Diameter	Ø180mm
Bit Shank	SD8
Hole Range	ø 195- ø 254
Connection Thread	API 4 1/2" Reg
Working Pressure	1.0-2.5Mpa
Impact Rate at 1.7Mpa	20HZ
Recommended Rotation Speed	15-25r/min
Air Consumption	145-350PSI 836-1150CFM

Decomposition	Item	Part Number	Description
	1	MQL8A01	Top Sub
	2	MQL8A02	"O" Ring of Top Sub
	3	MQL8A03	Breakout Ring
	4	MQL8A04	Check Valve
	5	MQL8A05	Spring
	6	MQL8A06	Air Distributor
	7	MQL8A07	Internal Cylinder
	8	MQL8A08	Piston
	9	MQL8A09	External Cylinder
	10	MQL8A10	Guided Sleeve
	11	MQL8A11	"O" Ring of Stop Ring
	12	MQL8A12	Stop Ring
	13	MQL8A13	Breakout Ring
	14	MQL8A14	Drive Chuck
	15	MQL8A15	Drill Bit

Product Number

MQL8A

Technical Parameters

Length(Less bit)	1330mm
Weight(Less bit)	174.00Kg
External Diameter	Ø185mm
Bit Shank	QL80
Hole Range	ø 195- ø 254
Connection Thread	API 4 1/2" Reg
Working Pressure	1.0-2.5Mpa
Impact Rate at 1.7Mpa	20HZ
Recommended Rotation Speed	15-25r/min
Air Consumption	145-350PSI 836-1150CFM

Decomposition	Item	Part Number	Description
	1	MQL95A01	Top Sub
	2	MQL95A02	"O" Ring of Top Sub
	3	MQL95A03	Breakout Ring
	4	MQL95A04	Check Valve
	5	MQL95A05	Spring
	6	MQL95A06	Air Distributor
	7	MQL95A07	Internal Cylinder
	8	MQL95A08	Piston
	9	MQL95A09	External Cylinder
	10	MQL95A10	Guided Sleeve
	11	MQL95A11	"O" Ring of Stop Ring
	12	MQL95A12	Stop Ring
	13	MQL95A13	Breakout Ring
	14	MQL95A14	Drive Chuck
	15	MQL95A15	Drill Bit

Technical Parameters

Length(Less bit)	1340mm
Weight(Less bit)	215.00Kg
External Diameter	Ø203mm
Bit Shank	QL80
Hole Range	ø 216- ø 254
Connection Thread	API 4 1/2" Reg
Working Pressure	1.0-2.5Mpa
Impact Rate at 1.7Mpa	20HZ
Recommended Rotation Speed	15-25r/min
Air Consumption	145-350PSI 836-1150CFM

Product Number

MQL95A

Decomposition	Item	Part Number	Description
	1	MSD10A01	Top Sub
	2	MSD10A02	"O" Ring of Top Sub
	3	MSD10A03	Breakout Ring
	4	MSD10A04	Check Valve
	5	MSD10A05	Spring
	6	MSD10A06	Air Distributor
	7	MSD10A07	Internal Cylinder
	8	MSD10A08	Piston
	9	MSD10A09	External Cylinder
	10	MSD10A10	Guided Sleeve
	11	MSD10A11	"O" Ring of Stop Ring
	12	MSD10A12	Stop Ring
	13	MSD10A13	Breakout Ring
	14	MSD10A14	Drive Chuck
	15	MSD10A15	Drill Bit

Technical Parameters

Length(Less bit)	1525mm
Weight(Less bit)	293.00Kg
External Diameter	Ø226mm
Bit Shank	SD10
Hole Range	ø 254- ø 311
Connection Thread	API 6 5/8" Reg
Working Pressure	1.0-2.5Mpa
Impact Rate at 1.7Mpa	20HZ
Recommended Rotation Speed	15-25r/min
Air Consumption	145-350PSI 836-1150CFM

Product Number

MSD10A

Decomposition	Item	Part Number	Description
	1	MN100A01	Top Sub
	2	MN100A02	"O" Ring of Top Sub
	3	MN100A03	Breakout Ring
	4	MN100A04	Check Valve
	5	MN100A05	Spring
	6	MN100A06	Air Distributor
	7	MN100A07	Internal Cylinder
	8	MN100A08	Piston
	9	MN100A09	External Cylinder
	10	MN100A10	Guided Sleeve
	11	MN100A11	"O" Ring of Stop Ring
	12	MN100A12	Stop Ring
	13	MN100A13	Breakout Ring
	14	MN100A14	Drive Chuck
	15	MN100A15	Drill Bit

Technical Parameters

Length(Less bit)	1545mm
Weight(Less bit)	305.00Kg
External Diameter	Ø226mm
Bit Shank	NUMA100
Hole Range	ø 254- ø 311
Connection Thread	API 4 1/2" Reg API 5 1/2" Reg
Working Pressure	1.0-2.5Mpa
Impact Rate at 1.7Mpa	20HZ
Recommended Rotation Speed	15-25r/min
Air Consumption	145-350PSI 836-1150CFM

Product Number

MN100A

Decomposition	Item	Part Number	Description
	1	MD1120A01	Top Sub
	2	MD1120A02	"O" Ring of Top Sub
	3	MD1120A03	Breakout Ring
	4	MD1120A04	Check Valve
	5	MD1120A05	Spring
	6	MD1120A06	Air Distributor
	7	MD1120A07	Internal Cylinder
	8	MD1120A08	Piston
	9	MD1120A09	External Cylinder
	10	MD1120A10	Guided Sleeve
	11	MD1120A11	"O" Ring of Stop Ring
	12	MD1120A12	Stop Ring
	13	MD1120A13	Breakout Ring
	14	MD1120A14	Drive Chuck
	15	MD1120A15	Drill Bit

Technical Parameters

Length(Less bit)	1880mm
Weight(Less bit)	474.00Kg
External Diameter	Ø275mm
Bit Shank	DHD1120
Hole Range	ø 305- ø 445
Connection Thread	API 6 5/8" Reg
Working Pressure	1.0-2.5Mpa
Impact Rate at 1.7Mpa	20HZ
Recommended Rotation Speed	15-25r/min
Air Consumption	145-350PSI 836-1150CFM

Product Number

MD1120A

Decomposition	Item	Part Number	Description
	1	MSD12A01	Top Sub
	2	MSD12A02	"O" Ring of Top Sub
	3	MSD12A03	Breakout Ring
	4	MSD12A04	Check Valve
	5	MSD12A05	Spring
	6	MSD12A06	Air Distributor
	7	MSD12A07	Internal Cylinder
	8	MSD12A08	Piston
	9	MSD12A09	External Cylinder
	10	MSD12A10	Guided Sleeve
	11	MSD12A11	"O" Ring of Stop Ring
	12	MSD12A12	Stop Ring
	13	MSD12A13	Breakout Ring
	14	MSD12A14	Drive Chuck
	15	MSD12A15	Drill Bit

Technical Parameters

Length(Less bit)	1860mm
Weight(Less bit)	530.00Kg
External Diameter	Ø275mm
Bit Shank	SD12
Hole Range	ø 305- ø 445
Connection Thread	API 6 5/8" Reg
Working Pressure	1.0-2.5Mpa
Impact Rate at 1.7Mpa	20HZ
Recommended Rotation Speed	15-25r/min
Air Consumption	145-350PSI 836-1150CFM

Product Number

MSD12A

Decomposition	Item	Part Number	Description
	1	MN125A01	Top Sub
	2	MN125A02	"O" Ring of Top Sub
	3	MN125A03	Breakout Ring
	4	MN125A04	Check Valve
	5	MN125A05	Spring
	6	MN125A06	Compression Buffer
	7	MN125A07	Air Distributor
	8	MN125A08	Internal Cylinder
	9	MN125A09	Piston
	10	MN125A10	External Cylinder
	11	MN125A11	"O" Ring of Stop Ring
	12	MN125A12	Stop Ring
	13	MN125A13	Breakout Ring
	14	MN125A14	Drive Chuck
	15	MN125A15	Drill Bit

Technical Parameters

Length(Less bit)	1880mm
Weight(Less bit)	518.00Kg
External Diameter	Ø275mm
Bit Shank	NUMA125
Hole Range	ø 305- ø 445
Connection Thread	API 6 5/8" Reg
Working Pressure	1.0-2.5Mpa
Impact Rate at 1.7Mpa	20HZ
Recommended Rotation Speed	15-25r/min
Air Consumption	145-350PSI 836-1150CFM

Product Number

MN125A