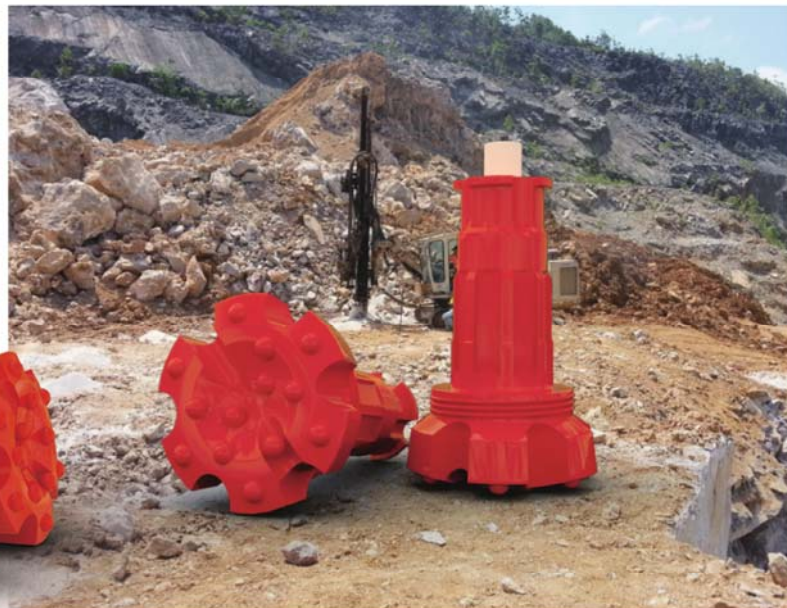




# DTH Drilling Equipment

## MAXDRILL ROCK TOOLS CO.,LTD



**GLOBAL DRILLING INDUSTRY EXPERTS**

# CONTENTS

DTH Hammers with foot valve . . . . .	1-19
DTH Hammers without foot valve . . . . .	20-47
Big Hole DTH Hammers . . . . .	48-51
DTH Bits. . . . .	52-86
The others . . . . .	87

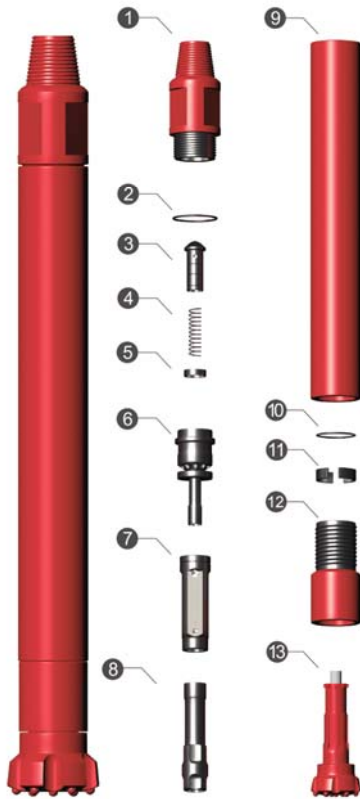


## High Air Pressure DTH Hammer -With Foot Valve Code

### DTH Hammer With Foot Valve ( i.e. MQL5 )

M	QL	5
Our Company: Maxdrill	Bit shank: D- DHD Bit Shank QL5- QL50 Bit Shank SD5-SD5 Bit Shank	Inch: 5" hammer

Decomposition	Item	Part Number	Description
---------------	------	-------------	-------------



1	MD3501	Top Sub
2	MD3502	"O" Ring of Top Sub
3	MD3503	Check Valve
4	MD3504	Spring
5	MD3505	Compression Buffer
6	MD3506	Air Distributor
7	MD3507	Internal Cylinder
8	MD3508	Piston
9	MD3509	External Cylinder
10	MD3510	"O" Ring of Stop Ring
11	MD3511	Stop Ring
12	MD3512	Drive Chuck
13	MD3513	Drill Bit

Product Number

**MD35**

### Technical Parameters

Length(Less bit)	930mm
Weight(Less bit)	25.00Kg
External Diameter	Ø82mm
Bit Shank	DHD3.5
Hole Range	ø90-ø110
Connection Thread	API 2 3/8" Reg
Working Pressure	1.0-2.5Mpa
Impact Rate at 1.5Mpa	28HZ
Recommended Rotation Speed	25-40r/min
Air Consumption	145-350PSI 200-600CFM

Decomposition	Item	Part Number	Description
	1	MD4501	Top Sub
	2	MD4502	"O" Ring of Top Sub
	3	MD4503	Check Valve
	4	MD4504	Spring
	5	MD4505	Compression Buffer
	6	MD4506	Air Distributor
	7	MD4507	Internal Cylinder
	8	MD4508	Piston
	9	MD4509	External Cylinder
	10	MD4510	"O" Ring of Stop Ring
	11	MD4511	Stop Ring
	12	MD4512	Drive Chuck
	13	MD4513	Drill Bit

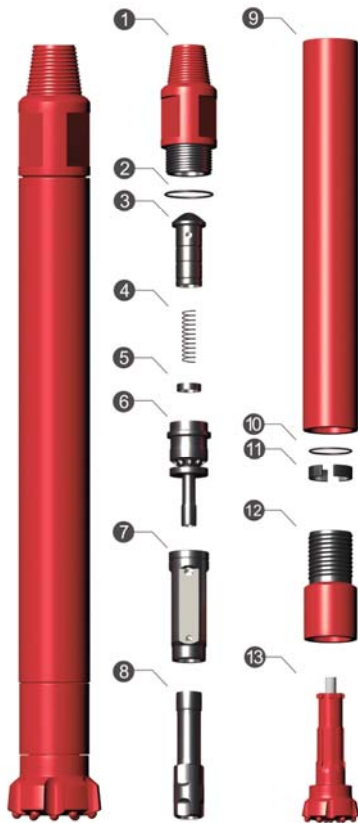
Product Number

**MD45**

### Technical Parameters

Length(Less bit)	1030mm
Weight(Less bit)	39.00Kg
External Diameter	Ø99mm
Bit Shank	Cop44 / DHD340A
Hole Range	ø110-ø135
Connection Thread	API 2 3/8" Reg
Working Pressure	1.0-2.5Mpa
Impact Rate at 1.7Mpa	28HZ
Recommended Rotation Speed	25-40r/min
Air Consumption	145-350PSI 200-600CFM

Decomposition	Item	Part Number	Description
---------------	------	-------------	-------------



1	MSD401	Top Sub
2	MSD402	"O" Ring of Top Sub
3	MSD403	Check Valve
4	MSD404	Spring
5	MSD405	Compression Buffer
6	MSD406	Air Distributor
7	MSD407	Internal Cylinder
8	MSD408	Piston
9	MSD409	External Cylinder
10	MSD410	"O" Ring of Stop Ring
11	MSD411	Stop Ring
12	MSD412	Drive Chuck
13	MSD413	Drill Bit

### Technical Parameters

Length(Less bit)	1084mm
Weight(Less bit)	40.50Kg
External Diameter	Ø99mm
Bit Shank	SD4
Hole Range	ø110-ø135
Connection Thread	API 2 3/8" Reg
Working Pressure	1.0-2.5Mpa
Impact Rate at 1.7Mpa	28HZ
Recommended Rotation Speed	25-40r/min
Air Consumption	145-350PSI 200-600CFM

Product Number

# MSD4

Decomposition	Item	Part Number	Description
	1	MQL401	Top Sub
	2	MQL402	"O" Ring of Top Sub
	3	MQL403	Check Valve
	4	MQL404	Spring
	5	MQL405	Compression Buffer
	6	MQL406	Air Distributor
	7	MQL407	Internal Cylinder
	8	MQL408	Piston
	9	MQL409	External Cylinder
	10	MQL410	Guided Sleeve
	11	MQL411	"O" Ring of Stop Ring
	12	MQL412	Stop Ring
	13	MQL413	Drive Chuck
	14	MQL414	Drill Bit

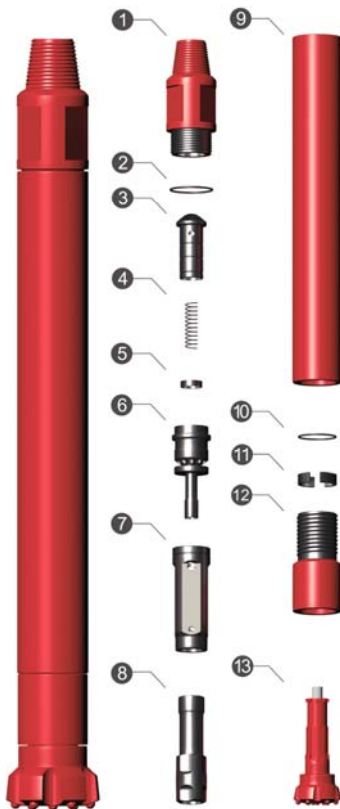
**Product Number**

**MQL4**

**Technical Parameters**

Length(Less bit)	1097mm
Weight(Less bit)	41.00Kg
External Diameter	ø99mm
Bit Shank	QL40
Hole Range	ø110-ø135
Connection Thread	API 2 3/8" Reg
Working Pressure	1.0-2.5Mpa
Impact Rate at 1.7Mpa	28HZ
Recommended Rotation Speed	25-40r/min
Air Consumption	145-350PSI 200-600CFM

Decomposition	Item	Part Number	Description
---------------	------	-------------	-------------



1	MD5501	Top Sub
2	MD5502	"O" Ring of Top Sub
3	MD5503	Check Valve
4	MD5504	Spring
5	MD5505	Compression Buffer
6	MD5506	Air Distributor
7	MD5507	Internal Cylinder
8	MD5508	Piston
9	MD5509	External Cylinder
10	MD5510	"O" Ring of Stop Ring
11	MD5511	Stop Ring
12	MD5512	Drive Chuck
13	MD5513	Drill Bit

### Technical Parameters

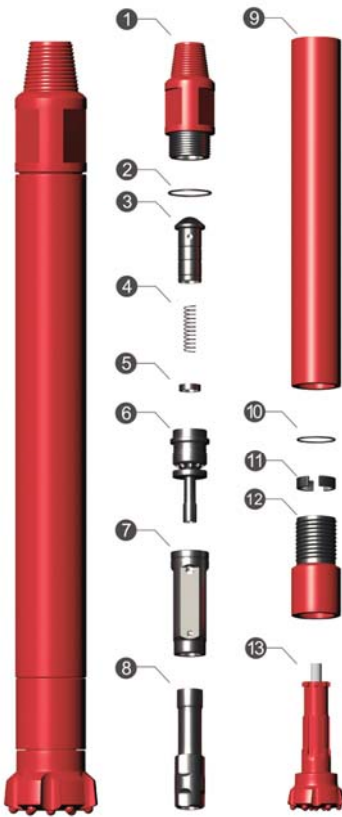
Length(Less bit)	1214mm
Weight(Less bit)	79.00Kg
External Diameter	Ø125mm
Bit Shank	Cop54 / DHD350R
Hole Range	ø135-ø155
Connection Thread	API 2 3/8" Reg API 3 1/2" Reg
Working Pressure	1.0-2.5Mpa
Impact Rate at 1.7Mpa	23HZ
Recommended Rotation Speed	20-30r/min
Air Consumption	145-350PSI 600-836CFM

Product Number

# MD55



Decomposition	Item	Part Number	Description
---------------	------	-------------	-------------



1	MSD501	Top Sub
2	MSD502	"O" Ring of Top Sub
3	MSD503	Check Valve
4	MSD504	Spring
5	MSD505	Compression Buffer
6	MSD506	Air Distributor
7	MSD507	Internal Cylinder
8	MSD508	Piston
9	MSD509	External Cylinder
10	MSD510	"O" Ring of Stop Ring
11	MSD511	Stop Ring
12	MSD512	Drive Chuck
13	MSD513	Drill Bit

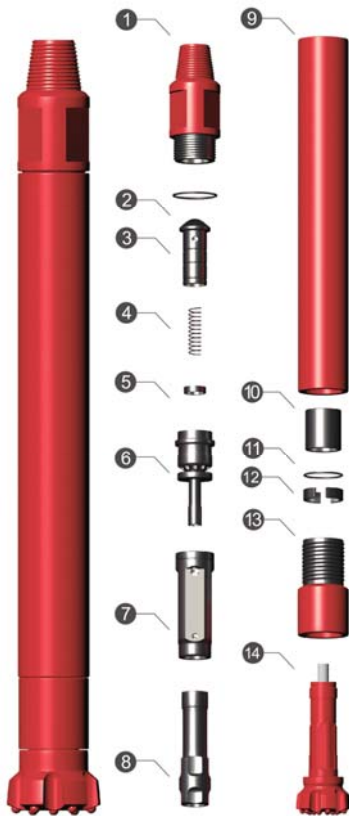
### Technical Parameters

Length(Less bit)	1175mm
Weight(Less bit)	72.50Kg
External Diameter	Ø125mm
Bit Shank	SD5
Hole Range	ø135- ø 155
Connection Thread	API 3 1/2" Reg
Working Pressure	1.0-2.5Mpa
Impact Rate at 1.7Mpa	23HZ
Recommended Rotation Speed	20-30r/min
Air Consumption	145-350PSI 600-836CFM

Product Number

# MSD5

Decomposition	Item	Part Number	Description
---------------	------	-------------	-------------



1	MQL501	Top Sub
2	MQL502	"O" Ring of Top Sub
3	MQL503	Check Valve
4	MQL504	Spring
5	MQL505	Compression Buffer
6	MQL506	Air Distributor
7	MQL507	Internal Cylinder
8	MQL508	Piston
9	MQL509	External Cylinder
10	MQL510	Guided Sleeve
11	MQL511	"O" Ring of Stop Ring
12	MQL512	Stop Ring
13	MQL513	Drive Chuck
14	MQL514	Drill Bit

Product Number

# MQL5

## Technical Parameters

Length(Less bit)	1156mm
Weight(Less bit)	73.00Kg
External Diameter	Ø125mm
Bit Shank	QL50
Hole Range	ø135- ø 155
Connection Thread	API 3 1/2" Reg
Working Pressure	1.0-2.5Mpa
Impact Rate at 1.7Mpa	23HZ
Recommended Rotation Speed	20-30r/min
Air Consumption	145-350PSI 600-836CFM

Decomposition	Item	Part Number	Description
	1	MD6501	Top Sub
	2	MD6502	"O" Ring of Top Sub
	3	MD6503	Check Valve
	4	MD6504	Spring
	5	MD6505	Compression Buffer
	6	MD6506	Air Distributor
	7	MD6507	Internal Cylinder
	8	MD6508	Piston
	9	MD6509	External Cylinder
	10	MD6510	Guided Sleeve
	11	MD6511	"O" Ring of Stop Ring
	12	MD6512	Stop Ring
	13	MD6513	Drive Chuck
	14	MD6514	Drill Bit

**Product Number**

**MD65**

### Technical Parameters

Length(Less bit)	1248mm
Weight(Less bit)	100.00Kg
External Diameter	Ø142mm
Bit Shank	Cop64 / DHD 360
Hole Range	ø155- ø 190
Connection Thread	API 3 1/2" Reg
Working Pressure	1.0-2.5Mpa
Impact Rate at 1.7Mpa	23HZ
Recommended Rotation Speed	20-30r/min
Air Consumption	145-350PSI 600-836CFM

Decomposition	Item	Part Number	Description
	1	MSD601	Top Sub
	2	MSD602	"O" Ring of Top Sub
	3	MSD603	Check Valve
	4	MSD604	Spring
	5	MSD605	Compression Buffer
	6	MSD606	Air Distributor
	7	MSD607	Internal Cylinder
	8	MSD608	Piston
	9	MSD609	External Cylinder
	10	MSD610	"O" Ring of Stop Ring
	11	MSD611	Stop Ring
	12	MSD612	Guided Sleeve
	13	MSD613	Drive Chuck
	14	MSD614	Drill Bit

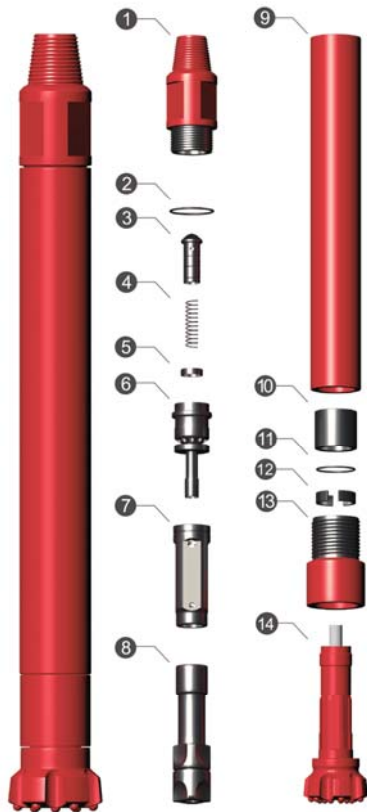
Product Number

# MSD6

## Technical Parameters

Length(Less bit)	1261mm
Weight(Less bit)	100.00Kg
External Diameter	Ø142mm
Bit Shank	SD6
Hole Range	ø155- ø 190
Connection Thread	API 3 1/2" Reg
Working Pressure	1.0-2.5Mpa
Impact Rate at 1.7Mpa	23HZ
Recommended Rotation Speed	20-30r/min
Air Consumption	145-350PSI 600-836CFM

Decomposition	Item	Part Number	Description
---------------	------	-------------	-------------



1	MQL601	Top Sub
2	MQL602	"O" Ring of Top Sub
3	MQL603	Check Valve
4	MQL604	Spring
5	MQL605	Compression Buffer
6	MQL606	Air Distributor
7	MQL607	Internal Cylinder
8	MQL608	Piston
9	MQL609	External Cylinder
10	MQL610	Guided Sleeve
11	MQL611	"O" Ring of Stop Ring
12	MQL612	Stop Ring
13	MQL613	Drive Chuck
14	MQL614	Drill Bit

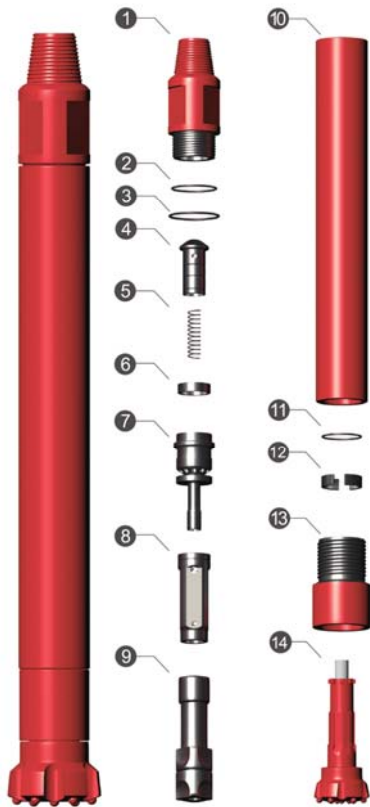
### Technical Parameters

Length(Less bit)	1212mm
Weight(Less bit)	95.00Kg
External Diameter	Ø148mm
Bit Shank	QL60
Hole Range	ø155- ø 190
Connection Thread	API 3 1/2" Reg
Working Pressure	1.0-2.5Mpa
Impact Rate at 1.7Mpa	23HZ
Recommended Rotation Speed	20-30r/min
Air Consumption	145-350PSI 600-836CFM

Product Number

# MQL6

Decomposition	Item	Part Number	Description
---------------	------	-------------	-------------



1	MD8501	Top Sub
2	MD8502	"O" Ring of Top Sub
3	MD8503	Breakout Ring
4	MD8504	Check Valve
5	MD8505	Spring
6	MD8506	Compression Buffer
7	MD8507	Air Distributor
8	MD8508	Internal Cylinder
9	MD8509	Piston
10	MD8510	External Cylinder
11	MD8511	"O" Ring of Stop Ring
12	MD8512	Stop Ring
13	MD8513	Drive Chuck
14	MD8514	Drill Bit

### Technical Parameters

Length(Less bit)	1492mm
Weight(Less bit)	189.00Kg
External Diameter	ø180mm
Bit Shank	Cop84 / DHD380
Hole Range	ø195-ø254
Connection Thread	API 4 1/2" Reg
Working Pressure	1.0-2.5Mpa
Impact Rate at 1.7Mpa	20HZ
Recommended Rotation Speed	15-25r/min
Air Consumption	145-350PSI 836-1150CFM

Product Number

# MD85

Decomposition	Item	Part Number	Description
	1	MSD801	Top Sub
	2	MSD802	"O" Ring of Top Sub
	3	MSD803	Breakout Ring
	4	MSD804	Check Valve
	5	MSD805	Spring
	6	MSD806	Compression Buffer
	7	MSD807	Air Distributor
	8	MSD808	Internal Cylinder
	9	MSD809	Piston
	10	MSD810	External Cylinder
	11	MSD811	"O" Ring of Stop Ring
	12	MSD812	Stop Ring
	13	MSD813	Guided Sleeve
	14	MSD814	Drive Chuck
	15	MSD815	Drill Bit

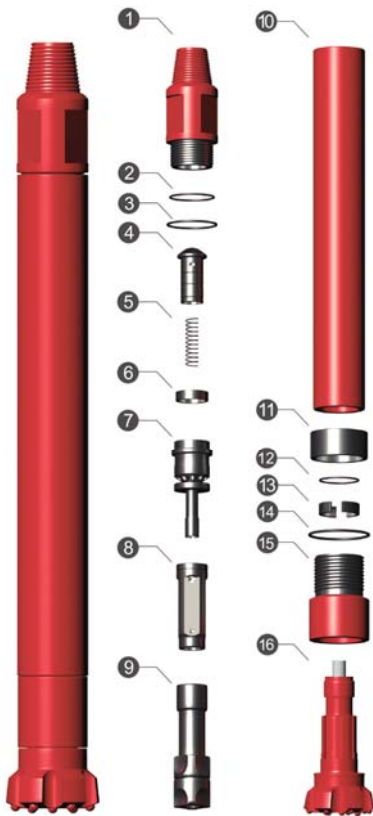
### Technical Parameters

Length(Less bit)	1463mm
Weight(Less bit)	192.00Kg
External Diameter	Ø180mm
Bit Shank	SD8
Hole Range	ø195- ø 254
Connection Thread	API 4 1/2" Reg
Working Pressure	1.0-2.5Mpa
Impact Rate at 1.7Mpa	20HZ
Recommended Rotation Speed	15-25r/min
Air Consumption	145-350PSI 836-1150CFM

Product Number

# MSD8

Decomposition	Item	Part Number	Description
---------------	------	-------------	-------------



1	MQL801	Top Sub
2	MQL802	"O" Ring of Top Sub
3	MQL803	Breakout Ring
4	MQL804	Check Valve
5	MQL805	Spring
6	MQL806	Compression Buffer
7	MQL807	Air Distributor
8	MQL808	Internal Cylinder
9	MQL809	Piston
10	MQL810	External Cylinder
11	MQL811	Guided Sleeve
12	MQL812	"O" Ring of Stop Ring
13	MQL813	Stop Ring
14	MQL814	Breakout Ring
15	MQL815	Drive Chuck
16	MQL816	Drill Bit

### Technical Parameters

Length(Less bit)	1465mm
Weight(Less bit)	182.00Kg
External Diameter	Ø185mm
Bit Shank	QL80
Hole Range	ø195- ø 254
Connection Thread	API 4 1/2" Reg
Working Pressure	1.0-2.5Mpa
Impact Rate at 1.7Mpa	20HZ
Recommended Rotation Speed	15-25r/min
Air Consumption	145-350PSI 836-1150CFM

Product Number

# MQL8



Decomposition	Item	Part Number	Description
	1	MSD1001	Top Sub
	2	MSD1002	"O" Ring of Top Sub
	3	MSD1003	Breakout Ring
	4	MSD1004	Check Valve
	5	MSD1005	Spring
	6	MSD1006	Air Distributor
	7	MSD1007	Internal Cylinder
	8	MSD1008	Piston
	9	MSD1009	External Cylinder
	10	MSD1010	"O" Ring of Stop Ring
	11	MSD1011	Stop Ring
	12	MSD1012	Guided Sleeve
	13	MSD1013	Breakout Ring
	14	MSD1014	Drive Chuck
	15	MSD1015	Drill Bit

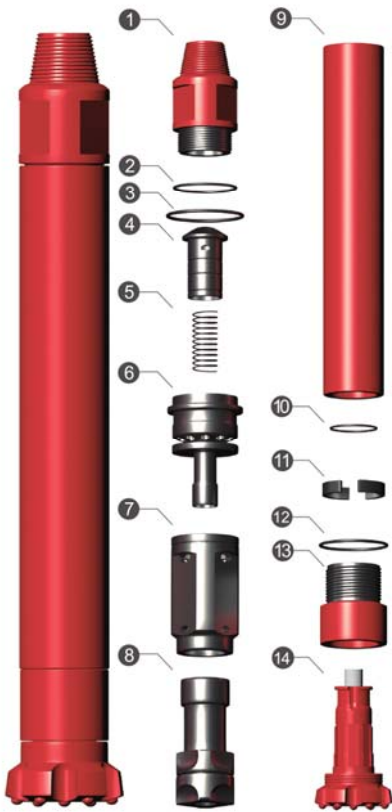
### Technical Parameters

Length(Less bit)	1502mm
Weight(Less bit)	290.00Kg
External Diameter	Ø225mm
Bit Shank	SD10
Hole Range	ø 254- ø 311
Connection Thread	API 4 1/2" Reg API 5 1/2" Reg
Working Pressure	1.0-2.5Mpa
Impact Rate at 1.7Mpa	20HZ
Recommended Rotation Speed	15-25r/min
Air Consumption	145-350PSI 836-1150CFM

Product Number

# MSD10

Decomposition	Item	Part Number	Description
---------------	------	-------------	-------------



1	MN10001	Top Sub
2	MN10002	"O" Ring of Top Sub
3	MN10003	Breakout Ring
4	MN10004	Check Valve
5	MN10005	Spring
6	MN10006	Air Distributor
7	MN10007	Internal Cylinder
8	MN10008	Piston
9	MN10009	External Cylinder
10	MN10010	"O" Ring of Stop Ring
11	MN10011	Stop Ring
12	MN10012	Breakout Ring
13	MN10013	Drive Chuck
14	MN10014	Drill Bit

### Technical Parameters

Length(Less bit)	1510mm
Weight(Less bit)	288.00Kg
External Diameter	Ø226mm
Bit Shank	NUMA100
Hole Range	ø 254- ø 311
Connection Thread	API 6 5/8" Reg
Working Pressure	1.0-2.5Mpa
Impact Rate at 1.7Mpa	20HZ
Recommended Rotation Speed	15-25r/min
Air Consumption	145-350PSI 836-1150CFM

Product Number

# MN100

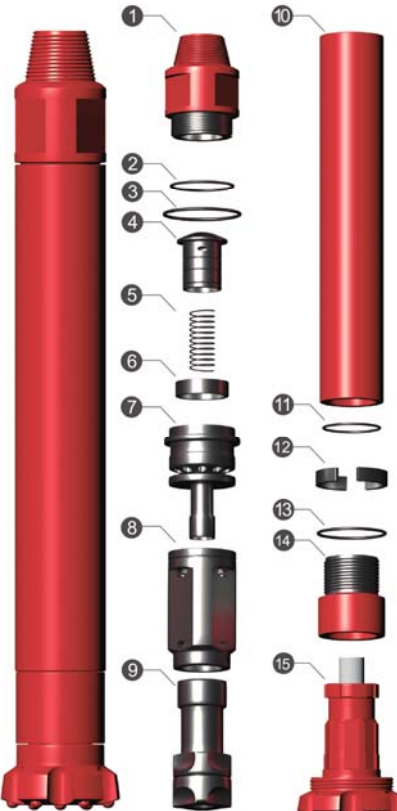
Decomposition	Item	Part Number	Description
	1	MSD1201	Top Sub
	2	MSD1202	"O" Ring of Top Sub
	3	MSD1203	Breakout Ring
	4	MSD1204	Check Valve
	5	MSD1205	Spring
	6	MSD1206	Air Distributor
	7	MSD1207	Internal Cylinder
	8	MSD1208	Piston
	9	MSD1209	External Cylinder
	10	MSD1210	"O" Ring of Stop Ring
	11	MSD1211	Stop Ring
	12	MSD1212	Guided Sleeve
	13	MSD1213	Breakout Ring
	14	MSD1214	Drive Chuck
	15	MSD1215	Drill Bit

Product Number

**MSD12**

### Technical Parameters

Length(Less bit)	1880mm
Weight(Less bit)	530.00Kg
External Diameter	Ø275mm
Bit Shank	SD12
Hole Range	ø 305- ø 445
Connection Thread	API 6 5/8" Reg
Working Pressure	1.0-2.5Mpa
Impact Rate at 1.7Mpa	20HZ
Recommended Rotation Speed	15-25r/min
Air Consumption	145-350PSI 836-1150CFM

Decomposition	Item	Part Number	Description
	1	MN12501	Top Sub
	2	MN12502	"O" Ring of Top Sub
	3	MN12503	Breakout Ring
	4	MN12504	Check Valve
	5	MN12505	Spring
	6	MN12506	Compression Buffer
	7	MN12507	Air Distributor
	8	MN12508	Internal Cylinder
	9	MN12509	Piston
	10	MN12510	External Cylinder
	11	MN12511	"O" Ring of Stop Ring
	12	MN12512	Stop Ring
	13	MN12513	Breakout Ring
	14	MN12514	Drive Chuck
	15	MN12515	Drill Bit

### Technical Parameters

Length(Less bit)	1900mm
Weight(Less bit)	480.00Kg
External Diameter	Ø275mm
Bit Shank	NUMA125
Hole Range	ø 305- ø 445
Connection Thread	API 6 5/8" Reg
Working Pressure	1.0-2.5Mpa
Impact Rate at 1.7Mpa	20HZ
Recommended Rotation Speed	15-25r/min
Air Consumption	145-350PSI 836-1150CFM

Product Number

# MN125



## High Air Pressure -Without Foot Valve DTH Hammer Code

### DTH Hammer Without Foot Valve ( i.e. MQL4A )

M	QL	4	A/S
Our Company: Maxdrill	Bit shank: D- DHD Bit Shank QL4- QL40 Bit Shank SD4-SD4 Bit Shank BR1-BR1 Bit Shank M-Mission Bit Shank N-NUMA Bit Shank	Inch: 4" hammer	A-Bit without foot valve S-Smaller size than general DTH Hammer

Decomposition	Item	Part Number	Description
	1	MBR1A01	Top Sub
	2	MBR1A02	Check Valve
	3	MBR1A03	Spring
	4	MBR1A04	Air Distributor
	5	MBR1A05	Internal Cylinder
	6	MBR1A06	Piston
	7	MBR1A07	External Cylinder
	8	MBR1A08	Guided Sleeve
	9	MBR1A09	"O" Ring of Stop Ring
	10	MBR1A10	Stop Ring
	11	MBR1A11	Drive Chuck
	12	MBR1A12	Drill Bit

Product Number

**MBR1A**

### Technical Parameters

Length(Less bit)	760mm
Weight(Less bit)	10.00Kg
External Diameter	Ø54mm
Bit Shank	BR1
Hole Range	ø 64- ø 76
Connection Thread	RD 40 / BOX
Working Pressure	1.0-2.5Mpa
Impact Rate at 1.4Mpa	28HZ
Recommended Rotation Speed	25-40r/min
Air Consumption	145-350PSI 200-600CFM

Decomposition	Item	Part Number	Description
	1	MBR2A01	Top Sub
	2	MBR2A02	Check Valve
	3	MBR2A03	Spring
	4	MBR2A04	Air Distributor
	5	MBR2A05	Internal Cylinder
	6	MBR2A06	Piston
	7	MBR2A07	External Cylinder
	8	MBR2A08	Guided Sleeve
	9	MBR2A09	"O" Ring of Stop Ring
	10	MBR2A10	Stop Ring
	11	MBR2A11	Drive Chuck
	12	MBR2A12	Drill Bit

Product Number

**MBR2A**

### Technical Parameters

Length(Less bit)	880mm
Weight(Less bit)	14.50Kg
External Diameter	Ø62mm
Bit Shank	BR2
Hole Range	ø 70- ø 90
Connection Thread	RD 50 / BOX
Working Pressure	1.0-2.5Mpa
Impact Rate at 1.4Mpa	28HZ
Recommended Rotation Speed	25-40r/min
Air Consumption	145-350PSI 200-600CFM

Decomposition	Item	Part Number	Description
	1	MD25A01	Top Sub
	2	MD25A02	Check Valve
	3	MD25A03	Spring
	4	MD25A04	Air Distributor
	5	MD25A05	Internal Cylinder
	6	MD25A06	Piston
	7	MD25A07	External Cylinder
	8	MD25A08	Guided Sleeve
	9	MD25A09	"O" Ring of Stop Ring
	10	MD25A10	Stop Ring
	11	MD25A11	Drive Chuck
	12	MD25A12	Drill Bit

**Product Number**

**MD25A**

### Technical Parameters

Length(Less bit)	872mm
Weight(Less bit)	16.00Kg
External Diameter	Ø71mm
Bit Shank	MD25
Hole Range	ø 76- ø 90
Connection Thread	T42 x 10 x 1.5
Working Pressure	1.0-2.5Mpa
Impact Rate at 1.5Mpa	28HZ
Recommended Rotation Speed	25-40r/min
Air Consumption	145-350PSI 200-600CFM



Decomposition	Item	Part Number	Description
	1	MD35A01	Top Sub
	2	MD35A02	"O" Ring of Top Sub
	3	MD35A03	Check Valve
	4	MD35A04	Spring
	5	MD35A05	Air Distributor
	6	MD35A06	Internal Cylinder
	7	MD35A07	Piston
	8	MD35A08	External Cylinder
	9	MD35A09	Guided Sleeve
	10	MD35A10	"O" Ring of Stop Ring
	11	MD35A11	Stop Ring
	12	MD35A12	Drive Chuck
	13	MD35A13	Drill Bit

### Technical Parameters

Length(Less bit)	888mm
Weight(Less bit)	25.00Kg
External Diameter	Ø82mm
Bit Shank	IR3.5
Hole Range	ø 90- ø 115
Connection Thread	API 2 3/8" Reg
Working Pressure	1.0-2.5Mpa
Impact Rate at 1.5Mpa	28HZ
Recommended Rotation Speed	25-40r/min
Air Consumption	145-350PSI 200-600CFM

Product Number

# MD35A

Decomposition	Item	Part Number	Description
	1	MD45A01	Top Sub
	2	MD45A02	"O" Ring of Top Sub
	3	MD45A03	Check Valve
	4	MD45A04	Spring
	5	MD45A05	Air Distributor
	6	MD45A06	Internal Cylinder
	7	MD45A07	Piston
	8	MD45A08	External Cylinder
	9	MD45A09	Guided Sleeve
	10	MD45A10	"O" Ring of Stop Ring
	11	MD45A11	Stop Ring
	12	MD45A12	Drive Chuck
	13	MD45A13	Drill Bit

Product Number

**MD45A**

### Technical Parameters

Length(Less bit)	1011mm
Weight(Less bit)	43.20Kg
External Diameter	Ø99mm
Bit Shank	Cop44 / DHD340A
Hole Range	ø 110- ø 135
Connection Thread	API 2 3/8" Reg
Working Pressure	1.0-2.5Mpa
Impact Rate at 1.7Mpa	28HZ
Recommended Rotation Speed	25-40r/min
Air Consumption	145-350PSI 200-600CFM

Decomposition	Item	Part Number	Description
	1	MD45S01	Top Sub
	2	MD45S02	"O" Ring of Top Sub
	3	MD45S03	Check Valve
	4	MD45S04	Spring
	5	MD45S05	Air Distributor
	6	MD45S06	Internal Cylinder
	7	MD45S07	Piston
	8	MD45S08	External Cylinder
	9	MD45S09	Guided Sleeve
	10	MD45S10	"O" Ring of Stop Ring
	11	MD45S11	Stop Ring
	12	MD45S12	Drive Chuck
	13	MD45S13	Drill Bit

**Product Number**

**MD45S**

**Technical Parameters**

Length(Less bit)	986mm
Weight(Less bit)	37.00Kg
External Diameter	Ø92mm
Bit Shank	Cop44 / DHD340A
Hole Range	ø 105- ø 120
Connection Thread	API 2 3/8" Reg
Working Pressure	1.0-2.5Mpa
Impact Rate at 1.7Mpa	28HZ
Recommended Rotation Speed	25-40r/min
Air Consumption	145-350PSI 200-600CFM

Decomposition	Item	Part Number	Description
	1	MM4A01	Top Sub
	2	MM4A02	"O" Ring of Top Sub
	3	MM4A03	Check Valve
	4	MM4A04	Spring
	5	MM4A05	Compression Buffer
	6	MM4A06	Air Distributor
	7	MM4A07	Piston
	8	MM4A08	External Cylinder
	9	MM4A09	Guided Sleeve
	10	MM4A10	"O" Ring of Stop Ring
	11	MM4A11	Stop Ring
	12	MM4A12	Drive Chuck
	13	MM4A13	Drill Bit

Product Number

**MM4A**

### Technical Parameters

Length(Less bit)	1005mm
Weight(Less bit)	40.00Kg
External Diameter	Ø99mm
Bit Shank	Mission40A
Hole Range	ø 110- ø 135
Connection Thread	API 2 3/8" Reg
Working Pressure	1.0-2.5Mpa
Impact Rate at 1.7Mpa	28HZ
Recommended Rotation Speed	25-40r/min
Air Consumption	145-350PSI 200-600CFM

Decomposition	Item	Part Number	Description
	1	MQL4A01	Top Sub
	2	MQL4A02	"O" Ring of Top Sub
	3	MQL4A03	Check Valve
	4	MQL4A04	Spring
	5	MQL4A05	Air Distributor
	6	MQL4A06	Internal Cylinder
	7	MQL4A07	Piston
	8	MQL4A08	External Cylinder
	9	MQL4A09	Guided Sleeve
	10	MQL4A10	"O" Ring of Stop Ring
	11	MQL4A11	Stop Ring
	12	MQL4A12	Drive Chuck
	13	MQL4A13	Drill Bit

**Product Number**

**MQL4A**

**Technical Parameters**

Length(Less bit)	1070mm
Weight(Less bit)	40.00Kg
External Diameter	Ø99mm
Bit Shank	QL40
Hole Range	ø 110- ø 135
Connection Thread	API 2 3/8" Reg
Working Pressure	1.0-2.5Mpa
Impact Rate at 1.7Mpa	28HZ
Recommended Rotation Speed	25-40r/min
Air Consumption	145-350PSI 200-600CFM

Decomposition	Item	Part Number	Description
	1	MD55A01	Top Sub
	2	MD55A02	"O" Ring of Top Sub
	3	MD55A03	Check Valve
	4	MD55A04	Spring
	5	MD55A05	Air Distributor
	6	MD55A06	Internal Cylinder
	7	MD55A07	Piston
	8	MD55A08	External Cylinder
	9	MD55A09	Guided Sleeve
	10	MD55A10	"O" Ring of Stop Ring
	11	MD55A11	Stop Ring
	12	MD55A12	Drive Chuck
	13	MD55A13	Drill Bit

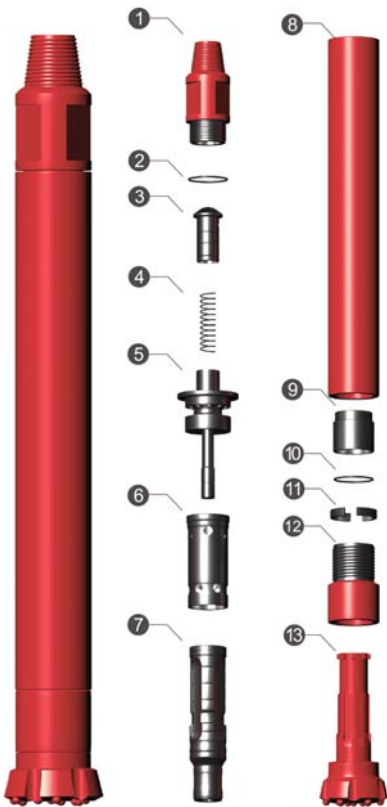
**Product Number**

**MD55A**

**Technical Parameters**

Length(Less bit)	1110mm
Weight(Less bit)	69.00Kg
External Diameter	Ø125mm
Bit Shank	Cop54 / DHD350R
Hole Range	ø 135- ø 155
Connection Thread	API 2 3/8" Reg API 3 1/2" Reg
Working Pressure	1.0-2.5Mpa
Impact Rate at 1.7Mpa	23HZ
Recommended Rotation Speed	20-30r/min
Air Consumption	145-350PSI 600-836CFM

Decomposition	Item	Part Number	Description
---------------	------	-------------	-------------



1	MD55S01	Top Sub
2	MD55S02	"O" Ring of Top Sub
3	MD55S03	Check Valve
4	MD55S04	Spring
5	MD55S05	Air Distributor
6	MD55S06	Internal Cylinder
7	MD55S07	Piston
8	MD55S08	External Cylinder
9	MD55S09	Guided Sleeve
10	MD55S10	"O" Ring of Stop Ring
11	MD55S11	Stop Ring
12	MD55S12	Drive Chuck
13	MD55S13	Drill Bit

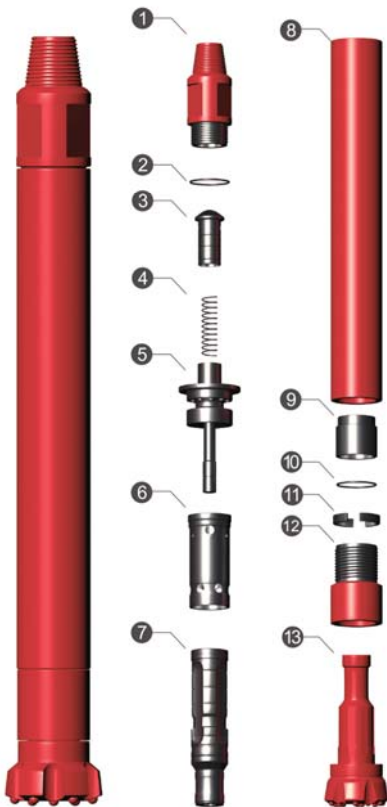
**Product Number**

**MD55S**

### Technical Parameters

Length(Less bit)	1110mm
Weight(Less bit)	56.00Kg
External Diameter	Ø116mm
Bit Shank	Cop54 / DHD350R
Hole Range	ø 127- ø 145
Connection Thread	API 2 3/8" Reg API 3 1/2" Reg
Working Pressure	1.0-2.5Mpa
Impact Rate at 1.7Mpa	23HZ
Recommended Rotation Speed	20-30r/min
Air Consumption	145-350PSI 600-836CFM

Decomposition	Item	Part Number	Description
---------------	------	-------------	-------------



1	MM5A01	Top Sub
2	MM5A02	"O" Ring of Top Sub
3	MM5A03	Check Valve
4	MM5A04	Spring
5	MM5A05	Air Distributor
6	MM5A06	Internal Cylinder
7	MM5A07	Piston
8	MM5A08	External Cylinder
9	MM5A09	Guided Sleeve
10	MM5A10	"O" Ring of Stop Ring
11	MM5A11	Stop Ring
12	MM5A12	Drive Chuck
13	MM5A13	Drill Bit

### Technical Parameters

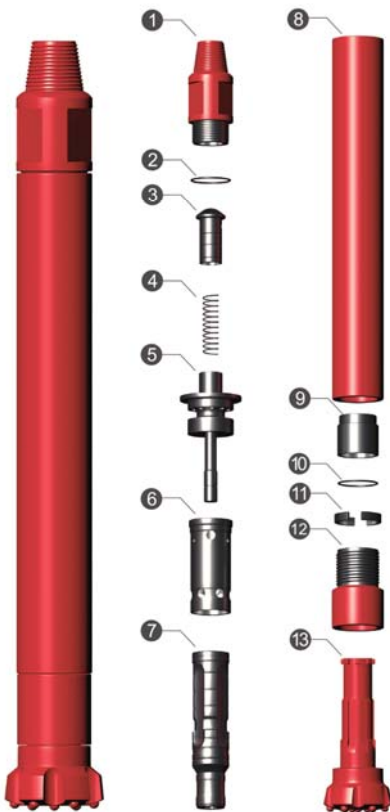
Length(Less bit)	1110mm
Weight(Less bit)	73.00Kg
External Diameter	Ø125mm
Bit Shank	Mission50A
Hole Range	ø 135- ø 155
Connection Thread	API 2 3/8" Reg API 3 1/2" Reg
Working Pressure	1.0-2.5Mpa
Impact Rate at 1.7Mpa	23HZ
Recommended Rotation Speed	20-30r/min
Air Consumption	145-350PSI 600-836CFM

Product Number

# MM5A



Decomposition	Item	Part Number	Description
---------------	------	-------------	-------------



1	MSD5A01	Top Sub
2	MSD5A02	"O" Ring of Top Sub
3	MSD5A03	Check Valve
4	MSD5A04	Spring
5	MSD5A05	Air Distributor
6	MSD5A06	Internal Cylinder
7	MSD5A07	Piston
8	MSD5A08	External Cylinder
9	MSD5A09	Guided Sleeve
10	MSD5A10	"O" Ring of Stop Ring
11	MSD5A11	Stop Ring
12	MSD5A12	Drive Chuck
13	MSD5A13	Drill Bit

### Technical Parameters

Length(Less bit)	1090mm
Weight(Less bit)	70.00Kg
External Diameter	Ø125mm
Bit Shank	SD5
Hole Range	ø 135- ø 155
Connection Thread	API 2 3/8" Reg API 3 1/2" Reg
Working Pressure	1.0-2.5Mpa
Impact Rate at 1.7Mpa	23HZ
Recommended Rotation Speed	20-30r/min
Air Consumption	145-350PSI 600-836CFM

Product Number

# MSD5A

Decomposition	Item	Part Number	Description
	1	MQL5A01	Top Sub
	2	MQL5A02	"O" Ring of Top Sub
	3	MQL5A03	Check Valve
	4	MQL5A04	Spring
	5	MQL5A05	Air Distributor
	6	MQL5A06	Internal Cylinder
	7	MQL5A07	Piston
	8	MQL5A08	External Cylinder
	9	MQL5A09	Guided Sleeve
	10	MQL5A10	"O" Ring of Stop Ring
	11	MQL5A11	Stop Ring
	12	MQL5A12	Drive Chuck
	13	MQL5A13	Drill Bit

## Product Number

# MQL5A

## Technical Parameters

Length(Less bit)	1090mm
Weight(Less bit)	67.00Kg
External Diameter	Ø125mm
Bit Shank	QL50
Hole Range	ø 135- ø 155
Connection Thread	API 2 3/8" Reg API 3 1/2" Reg
Working Pressure	1.0-2.5Mpa
Impact Rate at 1.7Mpa	23HZ
Recommended Rotation Speed	20-30r/min
Air Consumption	145-350PSI 600-836CFM

Decomposition	Item	Part Number	Description
	1	MD65A01	Top Sub
	2	MD65A02	"O" Ring of Top Sub
	3	MD65A03	Check Valve
	4	MD65A04	Spring
	5	MD65A05	Air Distributor
	6	MD65A06	Internal Cylinder
	7	MD65A07	Piston
	8	MD65A08	External Cylinder
	9	MD65A09	Guided Sleeve
	10	MD65A10	"O" Ring of Stop Ring
	11	MD65A11	Stop Ring
	12	MD65A12	Drive Chuck
	13	MD65A13	Drill Bit

Product Number

**MD65A**

### Technical Parameters

Length(Less bit)	1238mm
Weight(Less bit)	99.00Kg
External Diameter	Ø148mm
Bit Shank	Cop64 / DHD360
Hole Range	ø 155- ø 203
Connection Thread	API 3 1/2" Reg
Working Pressure	1.0-2.5Mpa
Impact Rate at 1.7Mpa	23HZ
Recommended Rotation Speed	20-30r/min
Air Consumption	145-350PSI 600-836CFM

Decomposition	Item	Part Number	Description
	1	MM6A01	Top Sub
	2	MM6A02	"O" Ring of Top Sub
	3	MM6A03	Check Valve
	4	MM6A04	Spring
	5	MM6A05	Air Distributor
	6	MM6A06	Internal Cylinder
	7	MM6A07	Piston
	8	MM6A08	External Cylinder
	9	MM6A09	Guided Sleeve
	10	MM6A10	"O" Ring of Stop Ring
	11	MM6A11	Stop Ring
	12	MM6A12	Drive Chuck
	13	MM6A13	Drill Bit

Product Number

**MM6A**

### Technical Parameters

Length(Less bit)	1161mm
Weight(Less bit)	94.00Kg
External Diameter	Ø146mm
Bit Shank	Mission60A
Hole Range	ø 155- ø 203
Connection Thread	API 3 1/2" Reg
Working Pressure	1.0-2.5Mpa
Impact Rate at 1.7Mpa	23HZ
Recommended Rotation Speed	20-30r/min
Air Consumption	145-350PSI 600-836CFM

Decomposition	Item	Part Number	Description
	1	MSD6A01	Top Sub
	2	MSD6A02	"O" Ring of Top Sub
	3	MSD6A03	Check Valve
	4	MSD6A04	Spring
	5	MSD6A05	Air Distributor
	6	MSD6A06	Internal Cylinder
	7	MSD6A07	Piston
	8	MSD6A08	External Cylinder
	9	MSD6A09	Guided Sleeve
	10	MSD6A10	"O" Ring of Stop Ring
	11	MSD6A11	Stop Ring
	12	MSD6A12	Drive Chuck
	13	MSD6A13	Drill Bit

Product Number

**MSD6A**

### Technical Parameters

Length(Less bit)	1182mm
Weight(Less bit)	94.00Kg
External Diameter	Ø146mm
Bit Shank	SD6
Hole Range	ø 155- ø 203
Connection Thread	API 3 1/2" Reg
Working Pressure	1.0-2.5Mpa
Impact Rate at 1.7Mpa	23HZ
Recommended Rotation Speed	20-30r/min
Air Consumption	145-350PSI 600-836CFM

Decomposition	Item	Part Number	Description
	1	MQL6A01	Top Sub
	2	MQL6A02	"O" Ring of Top Sub
	3	MQL6A03	Check Valve
	4	MQL6A04	Spring
	5	MQL6A05	Air Distributor
	6	MQL6A06	Internal Cylinder
	7	MQL6A07	Piston
	8	MQL6A08	External Cylinder
	9	MQL6A09	Guided Sleeve
	10	MQL6A10	"O" Ring of Stop Ring
	11	MQL6A11	Stop Ring
	12	MQL6A12	Drive Chuck
	13	MQL6A13	Drill Bit

Product Number

# MQL6A

## Technical Parameters

Length(Less bit)	1183mm
Weight(Less bit)	96.50Kg
External Diameter	Ø148mm
Bit Shank	QL60
Hole Range	ø 155- ø 203
Connection Thread	API 3 1/2" Reg
Working Pressure	1.0-2.5Mpa
Impact Rate at 1.7Mpa	23HZ
Recommended Rotation Speed	20-30r/min
Air Consumption	145-350PSI 600-836CFM

Decomposition	Item	Part Number	Description
	1	MW7A01	Top Sub
	2	MW7A02	"O" Ring of Top Sub
	3	MW7A03	Check Valve
	4	MW7A04	Spring
	5	MW7A05	Air Distributor
	6	MW7A06	Internal Cylinder
	7	MW7A07	Piston
	8	MW7A08	External Cylinder
	9	MW7A09	Piston Retaining Rin
	10	MW7A10	Guided Sleeve
	11	MW7A11	Piston Retaining Rin
	12	MW7A12	Stop Ring
	13	MW7A13	Drive Chuck
	14	MW7A14	Drill Bit

**Product Number**

**MW7-A**

**Technical Parameters**

Length(Less bit)	1188mm
Weight(Less bit)	132.00Kg
External Diameter	Ø165mm
Bit Shank	MK70A
Hole Range	ø 175- ø 216
Connection Thread	API 3 1/2" Reg
Working Pressure	1.0-2.5Mpa
Impact Rate at 1.7Mpa	23HZ
Recommended Rotation Speed	20-30r/min
Air Consumption	145-350PSI 600-836CFM

Decomposition	Item	Part Number	Description
	1	MD85A01	Top Sub
	2	MD85A02	"O" Ring of Top Sub
	3	MD85A03	Breakout Ring
	4	MD85A04	Check Valve
	5	MD85A05	Spring
	6	MD85A06	Air Distributor
	7	MD85A07	Internal Cylinder
	8	MD85A08	Piston
	9	MD85A09	External Cylinder
	10	MD85A10	Guided Sleeve
	11	MD85A11	"O" Ring of Stop Ring
	12	MD85A12	Stop Ring
	13	MD85A13	Breakout Ring
	14	MD85A14	Drive Chuck
	15	MD85A15	Drill Bit

Product Number

**MD85A**

### Technical Parameters

Length(Less bit)	1359mm
Weight(Less bit)	185.00Kg
External Diameter	Ø185mm
Bit Shank	Cop84 / DHD380
Hole Range	ø 195- ø 254
Connection Thread	API 4 1/2" Reg
Working Pressure	1.0-2.5Mpa
Impact Rate at 1.7Mpa	20HZ
Recommended Rotation Speed	15-25r/min
Air Consumption	145-350PSI 836-1150CFM



Decomposition	Item	Part Number	Description
	1	MSD8A01	Top Sub
	2	MSD8A02	"O" Ring of Top Sub
	3	MSD8A03	Breakout Ring
	4	MSD8A04	Check Valve
	5	MSD8A05	Spring
	6	MSD8A06	Air Distributor
	7	MSD8A07	Internal Cylinder
	8	MSD8A08	Piston
	9	MSD8A09	External Cylinder
	10	MSD8A10	Guided Sleeve
	11	MSD8A11	"O" Ring of Stop Ring
	12	MSD8A12	Stop Ring
	13	MSD8A13	Breakout Ring
	14	MSD8A14	Drive Chuck
	15	MSD8A15	Drill Bit

Product Number

**MSD8A**

### Technical Parameters

Length(Less bit)	1330mm
Weight(Less bit)	174.00Kg
External Diameter	Ø180mm
Bit Shank	SD8
Hole Range	ø 195- ø 254
Connection Thread	API 4 1/2" Reg
Working Pressure	1.0-2.5Mpa
Impact Rate at 1.7Mpa	20HZ
Recommended Rotation Speed	15-25r/min
Air Consumption	145-350PSI 836-1150CFM

Decomposition	Item	Part Number	Description
	1	MQL8A01	Top Sub
	2	MQL8A02	"O" Ring of Top Sub
	3	MQL8A03	Breakout Ring
	4	MQL8A04	Check Valve
	5	MQL8A05	Spring
	6	MQL8A06	Air Distributor
	7	MQL8A07	Internal Cylinder
	8	MQL8A08	Piston
	9	MQL8A09	External Cylinder
	10	MQL8A10	Guided Sleeve
	11	MQL8A11	"O" Ring of Stop Ring
	12	MQL8A12	Stop Ring
	13	MQL8A13	Breakout Ring
	14	MQL8A14	Drive Chuck
	15	MQL8A15	Drill Bit

Product Number

# MQL8A

### Technical Parameters

Length(Less bit)	1330mm
Weight(Less bit)	174.00Kg
External Diameter	Ø185mm
Bit Shank	QL80
Hole Range	ø 195- ø 254
Connection Thread	API 4 1/2" Reg
Working Pressure	1.0-2.5Mpa
Impact Rate at 1.7Mpa	20HZ
Recommended Rotation Speed	15-25r/min
Air Consumption	145-350PSI 836-1150CFM

Decomposition	Item	Part Number	Description
	1	MQL95A01	Top Sub
	2	MQL95A02	"O" Ring of Top Sub
	3	MQL95A03	Breakout Ring
	4	MQL95A04	Check Valve
	5	MQL95A05	Spring
	6	MQL95A06	Air Distributor
	7	MQL95A07	Internal Cylinder
	8	MQL95A08	Piston
	9	MQL95A09	External Cylinder
	10	MQL95A10	Guided Sleeve
	11	MQL95A11	"O" Ring of Stop Ring
	12	MQL95A12	Stop Ring
	13	MQL95A13	Breakout Ring
	14	MQL95A14	Drive Chuck
	15	MQL95A15	Drill Bit

### Technical Parameters

Length(Less bit)	1340mm
Weight(Less bit)	215.00Kg
External Diameter	Ø203mm
Bit Shank	QL80
Hole Range	ø 216- ø 254
Connection Thread	API 4 1/2" Reg
Working Pressure	1.0-2.5Mpa
Impact Rate at 1.7Mpa	20HZ
Recommended Rotation Speed	15-25r/min
Air Consumption	145-350PSI 836-1150CFM

Product Number

# MQL95A

Decomposition	Item	Part Number	Description
	1	MSD10A01	Top Sub
	2	MSD10A02	"O" Ring of Top Sub
	3	MSD10A03	Breakout Ring
	4	MSD10A04	Check Valve
	5	MSD10A05	Spring
	6	MSD10A06	Air Distributor
	7	MSD10A07	Internal Cylinder
	8	MSD10A08	Piston
	9	MSD10A09	External Cylinder
	10	MSD10A10	Guided Sleeve
	11	MSD10A11	"O" Ring of Stop Ring
	12	MSD10A12	Stop Ring
	13	MSD10A13	Breakout Ring
	14	MSD10A14	Drive Chuck
	15	MSD10A15	Drill Bit

### Technical Parameters

Length(Less bit)	1525mm
Weight(Less bit)	293.00Kg
External Diameter	Ø226mm
Bit Shank	SD10
Hole Range	ø 254- ø 311
Connection Thread	API 6 5/8" Reg
Working Pressure	1.0-2.5Mpa
Impact Rate at 1.7Mpa	20HZ
Recommended Rotation Speed	15-25r/min
Air Consumption	145-350PSI 836-1150CFM

Product Number

# MSD10A

Decomposition	Item	Part Number	Description
	1	MN100A01	Top Sub
	2	MN100A02	"O" Ring of Top Sub
	3	MN100A03	Breakout Ring
	4	MN100A04	Check Valve
	5	MN100A05	Spring
	6	MN100A06	Air Distributor
	7	MN100A07	Internal Cylinder
	8	MN100A08	Piston
	9	MN100A09	External Cylinder
	10	MN100A10	Guided Sleeve
	11	MN100A11	"O" Ring of Stop Ring
	12	MN100A12	Stop Ring
	13	MN100A13	Breakout Ring
	14	MN100A14	Drive Chuck
	15	MN100A15	Drill Bit

### Technical Parameters

Length(Less bit)	1545mm
Weight(Less bit)	305.00Kg
External Diameter	Ø226mm
Bit Shank	NUMA100
Hole Range	ø 254- ø 311
Connection Thread	API 4 1/2" Reg API 5 1/2" Reg
Working Pressure	1.0-2.5Mpa
Impact Rate at 1.7Mpa	20HZ
Recommended Rotation Speed	15-25r/min
Air Consumption	145-350PSI 836-1150CFM

Product Number

# MN100A

Decomposition	Item	Part Number	Description
	1	MD1120A01	Top Sub
	2	MD1120A02	"O" Ring of Top Sub
	3	MD1120A03	Breakout Ring
	4	MD1120A04	Check Valve
	5	MD1120A05	Spring
	6	MD1120A06	Air Distributor
	7	MD1120A07	Internal Cylinder
	8	MD1120A08	Piston
	9	MD1120A09	External Cylinder
	10	MD1120A10	Guided Sleeve
	11	MD1120A11	"O" Ring of Stop Ring
	12	MD1120A12	Stop Ring
	13	MD1120A13	Breakout Ring
	14	MD1120A14	Drive Chuck
	15	MD1120A15	Drill Bit

### Technical Parameters

Length(Less bit)	1880mm
Weight(Less bit)	474.00Kg
External Diameter	Ø275mm
Bit Shank	DHD1120
Hole Range	ø 305- ø 445
Connection Thread	API 6 5/8" Reg
Working Pressure	1.0-2.5Mpa
Impact Rate at 1.7Mpa	20HZ
Recommended Rotation Speed	15-25r/min
Air Consumption	145-350PSI 836-1150CFM

Product Number

# MD1120A

Decomposition	Item	Part Number	Description
	1	MSD12A01	Top Sub
	2	MSD12A02	"O" Ring of Top Sub
	3	MSD12A03	Breakout Ring
	4	MSD12A04	Check Valve
	5	MSD12A05	Spring
	6	MSD12A06	Air Distributor
	7	MSD12A07	Internal Cylinder
	8	MSD12A08	Piston
	9	MSD12A09	External Cylinder
	10	MSD12A10	Guided Sleeve
	11	MSD12A11	"O" Ring of Stop Ring
	12	MSD12A12	Stop Ring
	13	MSD12A13	Breakout Ring
	14	MSD12A14	Drive Chuck
	15	MSD12A15	Drill Bit

### Technical Parameters

Length(Less bit)	1860mm
Weight(Less bit)	530.00Kg
External Diameter	Ø275mm
Bit Shank	SD12
Hole Range	ø 305- ø 445
Connection Thread	API 6 5/8" Reg
Working Pressure	1.0-2.5Mpa
Impact Rate at 1.7Mpa	20HZ
Recommended Rotation Speed	15-25r/min
Air Consumption	145-350PSI 836-1150CFM

Product Number

# MSD12A

Decomposition	Item	Part Number	Description
	1	MN125A01	Top Sub
	2	MN125A02	"O" Ring of Top Sub
	3	MN125A03	Breakout Ring
	4	MN125A04	Check Valve
	5	MN125A05	Spring
	6	MN125A06	Compression Buffer
	7	MN125A07	Air Distributor
	8	MN125A08	Internal Cylinder
	9	MN125A09	Piston
	10	MN125A10	External Cylinder
	11	MN125A11	"O" Ring of Stop Ring
	12	MN125A12	Stop Ring
	13	MN125A13	Breakout Ring
	14	MN125A14	Drive Chuck
	15	MN125A15	Drill Bit

### Technical Parameters

Length(Less bit)	1880mm
Weight(Less bit)	518.00Kg
External Diameter	Ø275mm
Bit Shank	NUMA125
Hole Range	ø 305- ø 445
Connection Thread	API 6 5/8" Reg
Working Pressure	1.0-2.5Mpa
Impact Rate at 1.7Mpa	20HZ
Recommended Rotation Speed	15-25r/min
Air Consumption	145-350PSI 836-1150CFM

Product Number

# MN125A



# The Characteristics Of Big Size DTH Hammer -Using In Water Wells, Oil, Gas, and Construction Drilling

Based on the characteristics of the wells, oil, gas, and construction drilling, our company self-designed, developed and manufactured this kind of high air pressure DTH hammer.

## It has the following characteristics:

- ☒ Using the latest rock drilling theory, optimizing the inside structure and the size of the air distribution, to make the DTH Hammer obtain the optimal energy transfer and make it achieve faster drilling speed and lower air consumption.
- ☒ For such projects as the drill bit break, retrieving very difficult, we specially designed a safe and reliable anti shedding device for the bit.
- ☒ The check valve can be replaced to the one with bigger air controlling hole to provide more efficient cutting discharge.
- ☒ The top sub and the drive chunk have special thread, which can achieve an easier disassemble.

## Big Size DTH Hammer Without Foot Valve ( i.e. MD330A )

M	D	330	A
Our Company: Maxdrill	Down the hole	The O.D. of hammer is 330mm	A- Bit without foot valve

Decomposition	Item	Part Number	Description
	1	MD330A01	Top Sub
	2	MD330A02	"O" Ring of Top Sub
	3	MD330A03	Breakout Ring
	4	MD330A04	Check Valve
	5	MD330A05	Spring
	6	MD330A06	Air Distributor
	7	MD330A07	Internal Cylinder
	8	MD330A08	Piston
	9	MD330A09	External Cylinder
	10	MD330A10	Guided Sleeve
	11	MD330A11	"O" Ring of Stop Ring
	12	MD330A12	Stop Ring
	13	MD330A13	Breakout Ring
	14	MD330A14	Drive Chuck
	15	MD330A15	Retainer
	16	MD330A16	Drill Bit

### Technical Parameters

Length(Less bit)	3870mm
Weight(Less bit)	1050.00Kg
External Diameter	Ø330mm
Bit Shank	MD330
Hole Range	ø 350- ø 660
Connection Thread	API 7 5/8" Reg
Working Pressure	1.0-2.5Mpa
Impact Rate at 1.7Mpa	20HZ
Recommended Rotation Speed	15-25r/min
Air Consumption	145-350PSI 836-1150CFM

Product Number

# MD330A

Decomposition	Item	Part Number	Description
	1	MD450A01	Top Sub
	2	MD450A02	"O" Ring of Top Sub
	3	MD450A03	Breakout Ring
	4	MD450A04	Check Valve
	5	MD450A05	Spring
	6	MD450A06	Air Distributor
	7	MD450A07	Internal Cylinder
	8	MD450A08	Piston
	9	MD450A09	External Cylinder
	10	MD450A10	Guided sleeve
	11	MD450A11	Piston Retaining Ring
	12	MD450A12	Bit Retaining Ring
	13	MD450A13	Breakout Ring
	14	MD450A14	Drive Sub
	15	MD450A15	Drill Bit

### Technical Parameters

Length(Less bit)	2195mm
Weight(Less bit)	1450.00Kg
External Diameter	Ø450mm
Bit Shank	MD450
Hole Range	ø 550- ø 700
Connection Thread	According to your request
Working Pressure	1.0-2.5Mpa
Impact Rate at 1.7Mpa	20HZ
Recommended Rotation Speed	15-25r/min
Air Consumption	145-350PSI 836-1150CFM

Product Number

# MD450A

Decomposition	Item	Part Number	Description
	1	MD525A01	Top Sub
	2	MD525A02	"O" Ring of Top Sub
	3	MD525A03	Breakout Ring
	4	MD525A04	Check Valve
	5	MD525A05	Spring
	6	MD525A06	Air Distributor
	7	MD525A07	Internal Cylinder
	8	MD525A08	Piston
	9	MD525A09	External Cylinder
	10	MD525A10	Guided Sleeve
	11	MD525A11	"O" Ring of Stop Ring
	12	MD525A12	Stop Ring
	13	MD525A13	Breakout Ring
	14	MD525A14	Drive Sub
	15	MD525A15	Drill Bit

### Technical Parameters

Length(Less bit)	2650mm
Weight(Less bit)	2895.00Kg
External Diameter	Ø525mm
Bit Shank	MD525
Hole Range	ø 610- ø 800
Connection Thread	According to your request
Working Pressure	1.0-2.5Mpa
Impact Rate at 1.7Mpa	20HZ
Recommended Rotation Speed	15-25r/min
Air Consumption	145-350PSI 836-1150CFM

Product Number

# MD525A



**Low Air Pressure DTH Hammer (i.e.MDC 65B)**

MD	C	65B
Our Company	Cir	Type

**Low Air Pressure DTH Bit (i.e.MDC 70-75)**

MD	C	70	75
Our Company	Cir	Type	Diameter of Bit

## Product features:

Low Air Pressure Down the hole hammers are widely used for drilling various tough rocks with poor drillability in geotechnical . The characteristics are as follows:

- ◆ Low Air Pressure Down the hole hammer belongs to a valve-type central exhaust hammer, which has a good effect of discharging rock dust, reduces repeated crushing of rock slag, lowers drill bit wear, and improves drilling efficiency;
- ◆ The latest rock drilling theory is used to design the internal structure size of the HAMMER, so that the HAMMER can obtain ideal energy transmission, large single impact energy, faster drilling speed, and lower wind consumption;

## Scope of application:

Mining, quarry, road construction and other engineering drilling blasting holes, landslide protection, dam site reinforcement, anchoring and other engineering holes, geothermal source air conditioning, hydrology, water well holes and other fields.

Decomposition	Item	Part Number	Description
	1	MDC65B01	Top Sub
	2	MDC65B02	Valve Seal
	3	MDC65B03	Check Valve
	4	MDC65B04	Check Valve With Spring
	5	MDC65B05	Steel Pad Ring
	6	MDC65B06	Rubber Ring
	7	MDC65B07	Valve Cover
	8	MDC65B08	Valve
	9	MDC65B09	Spring Type Straight Pins
	10	MDC65B10	Check Valve Guide
	11	MDC65B11	Internal Cylinder
	12	MDC65B12	Piston
	13	MDC65B13	Piston Case
	14	MDC65B14	Guide Sleeve
	15	MDC65B15	Rubber Block
	16	MDC65B16	Spring
	17	MDC65B17	Parallel Pins
	18	MDC65B18	Pivot Bracket
	19	MDC65B19	Driver Sub

### Technical Parameters

Length( Less bit)	745mm
Weight( Less bit)	13.0 kg
External Diameter	φ61.2mm
Bit Shank	MDC65PQ
Hold Range (mm)	φ68-φ70
Connection thread with drill bit	φ37-4
Connection thread with drill rod	M42 X 10 X 1.5P
Working Pressure	0.5-0.7Mpa
Air Consumption (m3/min)	2.5
Torque (J)	51
Impact frequency	≥810

Product Number

# MDC65B

Decomposition	Item	Part Number	Description
	1	MDC7001	Top Sub
	2	MDC7002	Valve Seal
	3	MDC7003	Check Valve
	4	MDC7004	Check Valve With Spring
	5	MDC7005	Steel Pad Ring
	6	MDC7006	Rubber Ring
	7	MDC7007	Valve Cover
	8	MDC7008	Valve
	9	MDC7009	Spring Type Straight Pins
	10	MDC7010	Check Valve Guide
	11	MDC7011	Internal Cylinder
	12	MDC7012	Piston
	13	MDC7013	Piston Case
	14	MDC7014	Guide Sleeve
	15	MDC7015	Sleeve
	16	MDC7016	Bit Retainer
	17	MDC7017	Bit Retainer Ring With O-ring
	18	MDC7018	Driver Sub

Product Number

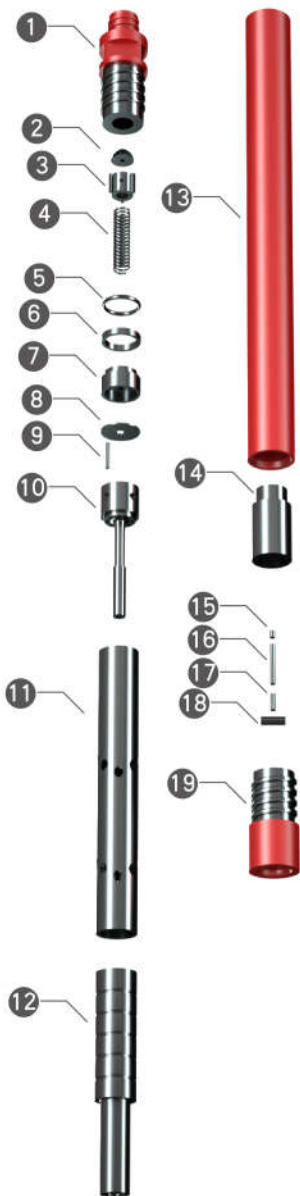
**MDC70**

### Technical Parameters

Length( Less bit)	803mm
Weight( Less bit)	14.0 kg
External Diameter	φ67.2mm
Bit Shank	MDC70-75
Hold Range (mm)	φ72-φ74
Connection thread with drill bit	φ43-6
Connection thread with drill rod	DZ50B
Working Pressure	0.5-0.7Mpa
Air Consumption (m3/min)	3
Torque (J)	70
Impact frequency	≥810



Decomposition	Item	Part Number	Description
---------------	------	-------------	-------------



1	MDC7601	Top Sub
2	MDC7602	Valve Seal
3	MDC7603	Check Valve
4	MDC7604	Check Valve With Spring
5	MDC7605	Steel Pad Ring
6	MDC7606	Rubber Ring
7	MDC7607	Valve Cover
8	MDC7608	Valve
9	MDC7609	Spring Type Straight Pins
10	MDC7610	Check Valve Guide
11	MDC7611	Internal Cylinder
12	MDC7612	Piston
13	MDC7613	Piston Case
14	MDC7614	Guide Sleeve
15	MDC7615	Rubber Block
16	MDC7616	Spring
17	MDC7617	Parallel Pins
18	MDC7618	Pivot Bracket
19	MDC7619	Driver Sub

Product Number

# MDC76

## Technical Parameters

Length( Less bit)	766mm
Weight( Less bit)	15.0 kg
External Diameter	φ67.2mm
Bit Shank	MDC76PQ MDC76-78
Hold Range (mm)	φ74-φ76
Connection thread with drill bit	φ44-4
Connection thread with drill rod	M48 X 10 X 2P
Working Pressure	0.5-0.7Mpa
Air Consumption (m3/min)	3
Torque (J)	75
Impact frequency	≥810

Decomposition	Item	Part Number	Description
	1	MDC8001	Top Sub
	2	MDC8002	Valve Seal
	3	MDC8003	Check Valve
	4	MDC8004	Check Valve With Spring
	5	MDC8005	Steel Pad Ring
	6	MDC8006	Rubber Ring
	7	MDC8007	Valve Cover
	8	MDC8008	Valve
	9	MDC8009	Guide Tube
	10	MDC8010	Check Valve Guide
	11	MDC8011	Internal Cylinder
	12	MDC8012	Piston
	13	MDC8013	Piston Case
	14	MDC8014	Guide Sleeve
	15	MDC8015	Rubber Block
	16	MDC8016	Spring
	17	MDC8017	Parallel Pins
	18	MDC8018	Pivot Bracket
	19	MDC8019	Driver Sub

Product Number

# MDC80

## Technical Parameters

Length( Less bit)	796mm
Weight( Less bit)	17.0 kg
External Diameter	φ72mm
Bit Shank	MDC80PQ MDC90A
Hold Range (mm)	φ80-φ82
Connection thread with drill bit	φ50-6
Connection thread with drill rod	M48 X 10 X 2P
Working Pressure	0.5-0.7Mpa
Air Consumption (m3/min)	5
Torque (J)	81
Impact frequency	≥800

Decomposition	Item	Part Number	Description
	1	MDC80-II01	Top Sub
	2	MDC80-II02	O-Ring
	3	MDC80-II03	Valve Seal
	4	MDC80-II04	Check Valve
	5	MDC80-II05	Check Valve With Spring
	6	MDC80-II06	Steel Pad Ring
	7	MDC80-II07	Valve Cover
	8	MDC80-II08	Valve
	9	MDC80-II09	Spring Type Straight Pins
	10	MDC80-II10	Check Valve Guide
	11	MDC80-II11	Internal Cylinder
	12	MDC80-II12	Piston
	13	MDC80-II13	Piston Case
	14	MDC80-II14	Guide Sleeve
	15	MDC80-II15	Sleeve
	16	MDC80-II16	Bit Retainer
	17	MDC80-II17	Bit Retainer Ring With O-Ring
	18	MDC80-II18	Driver Sub

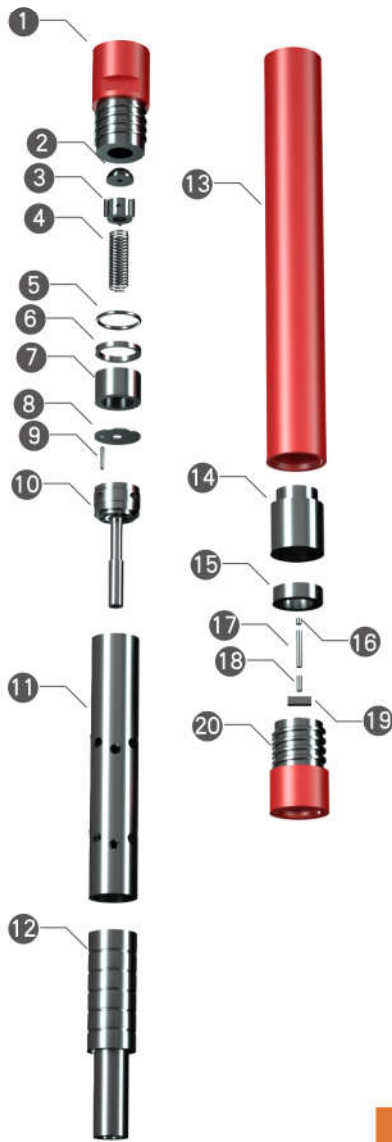
Product Number

# MDC80-II

## Technical Parameters

Length( Less bit)	756mm
Weight( Less bit)	15.0 kg
External Diameter	φ67mm
Bit Shank	MDC80-II-80
Hold Range (mm)	φ75-φ80
Connection thread with drill bit	φ44.5-6
Connection thread with drill rod	45 X 4B
Working Pressure	0.5-0.7Mpa
Air Consumption (m3/min)	3
Torque (J)	75
Impact frequency	≥810

Decomposition	Item	Part Number	Description
---------------	------	-------------	-------------



1	MDC80X01	Top Sub
2	MDC80X02	Valve Seal
3	MDC80X03	Check Valve
4	MDC80X04	Check Valve With Spring
5	MDC80X05	Steel Pad Ring
6	MDC80X06	Rubber Ring
7	MDC80X07	Valve Cover
8	MDC80X08	Valve
9	MDC80X09	Spring Type Straight Pins
10	MDC80X10	Check Valve Guide
11	MDC80X11	Internal Cylinder
12	MDC80X12	Piston
13	MDC80X13	Piston Case
14	MDC80X14	Guide Sleeve
15	MDC80X15	Sleeve
16	MDC80X16	Rubber Block
17	MDC80X17	Spring
18	MDC80X18	Parallel Pins
19	MDC80X19	Pivot Bracket
20	MDC80X20	Driver Sub

### Technical Parameters

Length( Less bit)	756mm
Weight( Less bit)	17.0 kg
External Diameter	φ72mm
Bit Shank	MDC80PQ MDC90A
Hold Range (mm)	φ80-φ82
Connection thread with drill bit	φ50-6
Connection thread with drill rod	DZ50B
Working Pressure	0.5-0.7Mpa
Air Consumption (m3/min)	4.5
Torque (J)	75
Impact frequency	≥800

Product Number

# MDC80X

Decomposition	Item	Part Number	Description
	1	MDC80XD01	Top Sub
	2	MDC80XD02	O-Ring
	3	MDC80XD03	Valve Seal
	4	MDC80XD04	Check Valve
	5	MDC80XD05	Check Valve With Spring
	6	MDC80XD06	Steel Pad Ring
	7	MDC80XD07	Valve Cover
	8	MDC80XD08	Valve
	9	MDC80XD09	Spring Type Straight Pins
	10	MDC80XD10	Check Valve Guide
	11	MDC80XD11	Internal Cylinder
	12	MDC80XD12	Piston
	13	MDC80XD13	Piston Case
	14	MDC80XD14	Guide Sleeve
	15	MDC80XD15	Sleeve
	16	MDC80XD16	Bit Retainer
	17	MDC80XD17	Bit Retainer Ring With O-Ring
	18	MDC80XD18	Driver Sub

### Technical Parameters

Length( Less bit)	735mm
Weight( Less bit)	17.0 kg
External Diameter	φ74mm
Bit Shank	MDC80XD-90
Hold Range (mm)	φ80-φ90
Connection thread with drill bit	φ49-6
Connection thread with drill rod	API 2 3/8 "Reg
Working Pressure	0.5-0.7Mpa
Air Consumption (m3/min)	5.5
Torque (J)	85
Impact frequency	≥800

Product Number

# MDC80XD

Decomposition	Item	Part Number	Description
	1	MDC9001	Top Sub
	2	MDC9002	Valve Seal
	3	MDC9003	Check Valve
	4	MDC9004	Check Valve With Spring
	5	MDC9005	Steel Pad Ring
	6	MDC9006	Rubber Ring
	7	MDC9007	Valve Cover
	8	MDC9008	Valve
	9	MDC9009	Guide Tube
	10	MDC9010	Check Valve Guide
	11	MDC9011	Internal Cylinder
	12	MDC9012	Piston
	13	MDC9013	Piston Case
	14	MDC9014	Guide Sleeve
	15	MDC9015	Rubber Block
	16	MDC9016	Spring
	17	MDC9017	Parallel Pins
	18	MDC9018	Pivot Bracket
	19	MDC9019	Driver Sub

Product Number

# MDC90

### Technical Parameters

Length( Less bit)	796mm
Weight( Less bit)	20.0 kg
External Diameter	φ80.2mm
Bit Shank	MDC90-90/100/105/110/120/130
Hold Range (mm)	φ90-φ130
Connection thread with drill bit	φ54-6
Connection thread with drill rod	M48 X 10 X 2P
Working Pressure	0.5-0.7Mpa
Air Consumption (m3/min)	6
Torque (J)	110
Impact frequency	≥820

Decomposition	Item	Part Number	Description
	1	MDC90- I 01	Top Sub
	2	MDC90- I 02	Valve Seal
	3	MDC90- I 03	Check Valve
	4	MDC90- I 04	Check Valve With Spring
	5	MDC90- I 05	Steel Pad Ring
	6	MDC90- I 06	Rubber Ring
	7	MDC90- I 07	Valve Cover
	8	MDC90- I 08	Valve
	9	MDC90- I 09	Spring Type Straight Pins
	10	MDC90- I 10	Check Valve Guide
	11	MDC90- I 11	Internal Cylinder
	12	MDC90- I 12	Piston
	13	MDC90- I 13	Piston Case
	14	MDC90- I 14	Guide Sleeve
	15	MDC90- I 15	Rubber Block
	16	MDC90- I 16	Spring
	17	MDC90- I 17	Parallel Pins
	18	MDC90- I 18	Pivot Bracket
	19	MDC90- I 19	Driver Sub

Product Number

**MDC90- I**

### Technical Parameters

Length( Less bit)	796mm
Weight( Less bit)	20.0 kg
External Diameter	φ80.2mm
Bit Shank	MDC90-90/100/105/110/120/130
Hold Range (mm)	φ90-φ130
Connection thread with drill bit	φ54-6
Connection thread with drill rod	M48 X 10 X 2P
Working Pressure	0.5-0.7Mpa
Air Consumption (m3/min)	5.5
Torque (J)	120
Impact frequency	≥820

Decomposition	Item	Part Number	Description
	1	MDC11001	Top Sub
	2	MDC11002	Valve Seal
	3	MDC11003	Check Valve
	4	MDC11004	Check Valve With Spring
	5	MDC11005	Steel Pad Ring
	6	MDC11006	Rubber Ring
	7	MDC11007	Compression Buffer
	8	MDC11008	Valve Cover
	9	MDC11009	Valve
	10	MDC11010	Guide Tube
	11	MDC11011	Check Valve Guide
	12	MDC11012	Internal Cylinder
	13	MDC11013	Piston
	14	MDC11014	Piston Case
	15	MDC11015	Guide Sleeve
	16	MDC11016	Rubber Block
	17	MDC11017	Spring
	18	MDC11018	Parallel Pins
	19	MDC11019	Pivot Bracket
	20	MDC11020	Driver Sub

Product Number

# MDC110

### Technical Parameters

Length( Less bit)	838mm
Weight( Less bit)	30 kg
External Diameter	φ98mm
Bit Shank	MDC110-110/115/120/130/135/140/150
Hold Range (mm)	φ110-φ150
Connection thread with drill bit	φ65-6
Connection thread with drill rod	API 2 3/8 " Reg
Working Pressure	0.5-0.7Mpa
Air Consumption (m3/min)	11
Torque (J)	180
Impact frequency	≥830



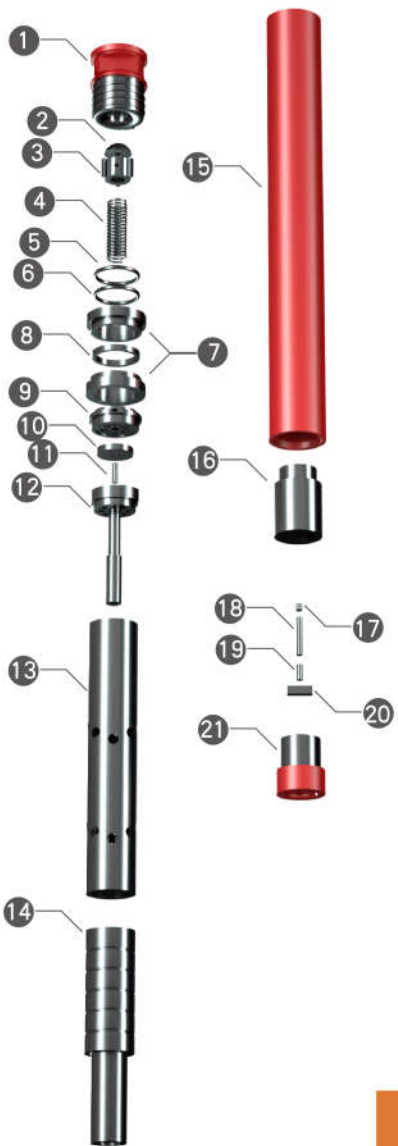
Decomposition	Item	Part Number	Description
	1	MDC110- I 01	Top Sub
	2	MDC110- I 02	Valve Seal
	3	MDC110- I 03	Check Valve
	4	MDC110- I 04	Check Valve With Spring
	5	MDC110- I 05	Steel Pad Ring
	6	MDC110- I 06	Rubber Ring
	7	MDC110- I 07	Valve Cover
	8	MDC110- I 08	Valve
	9	MDC110- I 09	Guide Tube
	10	MDC110- I 10	Check Valve Guide
	11	MDC110- I 11	Internal Cylinder
	12	MDC110- I 12	Piston
	13	MDC110- I 13	Piston Case
	14	MDC110- I 14	Guide Sleeve
	15	MDC110- I 15	Rubber Block
	16	MDC110- I 16	Spring
	17	MDC110- I 17	Parallel Pins
	18	MDC110- I 18	Pivot Bracket
	19	MDC110- I 19	Driver Sub

### Technical Parameters

Length( Less bit)	838mm
Weight( Less bit)	30 kg
External Diameter	φ98mm
Bit Shank	MDC110-110/115/120/130/135/140/150
Hold Range (mm)	φ110-φ150
Connection thread with drill bit	φ65-6
Connection thread with drill rod	API 2 3/8" Reg
Working Pressure	0.5-0.7Mpa
Air Consumption (m3/min)	8-12
Torque (J)	198
Impact frequency	≥830

Product Number

# MDC110- I

Decomposition	Item	Part Number	Description
	1	MDC15001	Top Sub
	2	MDC15002	Valve Seal
	3	MDC15003	Check Valve
	4	MDC15004	Check Valve With Spring
	5	MDC15005	Adjusting Pad
	6	MDC15006	Steel Pad Ring
	7	MDC15007	Compression Buffer
	8	MDC15008	Rubber Ring
	9	MDC15009	Valve Cover
	10	MDC15010	Valve
	11	MDC15011	Guide Tube
	12	MDC15012	Check Valve Guide
	13	MDC15013	Internal Cylinder
	14	MDC15014	Piston
	15	MDC15015	Piston Case
	16	MDC15016	Guide Sleeve
	17	MDC15017	Rubber Block
	18	MDC15018	Spring
	19	MDC15019	Parallel Pins
	20	MDC15020	Pivot Bracket
	21	MDC15021	Driver Sub

### Technical Parameters

Length( Less bit)	908mm
Weight( Less bit)	75 kg
External Diameter	φ137mm
Bit Shank	MDC150-155/165/185/200/210/220
Hold Range (mm)	φ155-φ220
Connection thread with drill bit	φ90-6
Connection thread with drill rod	M76 X 10 X 3B
Working Pressure	0.5-0.7Mpa
Air Consumption (m3/min)	17
Torque (J)	340
Impact frequency	≥800

Product Number

# MDC150

Decomposition	Item	Part Number	Description
	1	MDC150- I 01	Top Sub
	2	MDC150- I 02	Valve Seal
	3	MDC150- I 03	Check Valve
	4	MDC150- I 04	Check Valve With Spring
	5	MDC150- I 05	Adjusting Pad
	6	MDC150- I 06	Compression Buffer
	7	MDC150- I 07	Rubber Ring
	8	MDC150- I 08	Valve Cover
	9	MDC150- I 09	Valve
	10	MDC150- I 10	Guide Tube
	11	MDC150- I 11	Pins
	12	MDC150- I 12	Check Valve Guide
	13	MDC150- I 13	Internal Cylinder
	14	MDC150- I 14	Piston
	15	MDC150- I 15	Piston Case
	16	MDC150- I 16	Guide Sleeve
	17	MDC150- I 17	Rubber Block
	18	MDC150- I 18	Spring
	19	MDC150- I 19	Parallel Pins
	20	MDC150- I 20	Pivot Bracket
	21	MDC150- I 21	Driver Sub

### Technical Parameters

Length( Less bit)	908mm
Weight( Less bit)	75 kg
External Diameter	φ137mm
Bit Shank	MDC150-155/165/185/200/210/220
Hold Range (mm)	φ155-φ220
Connection thread with drill bit	φ90-6
Connection thread with drill rod	M76 X 10 X 3B
Working Pressure	0.5-0.7Mpa
Air Consumption (m3/min)	17
Torque (J)	340
Impact frequency	≥800

Product Number

# MDC150- I

Decomposition	Item	Part Number	Description
	1	MDC17001	Top Sub
	2	MDC17002	Valve Seal
	3	MDC17003	Check Valve
	4	MDC17004	Check Valve With Spring
	5	MDC17005	Adjusting Pad
	6	MDC17006	Compression Buffer
	7	MDC17007	Rubber Ring
	8	MDC17008	Valve Cover
	9	MDC17009	Valve
	10	MDC17010	Guide Tube
	11	MDC17011	Check Valve Guide
	12	MDC17012	Internal Cylinder
	13	MDC17013	Piston
	14	MDC17014	Piston Case
	15	MDC17015	Guide Sleeve
	16	MDC17016	Rubber Block
	17	MDC17017	Spring
	18	MDC17018	Parallel Pins
	19	MDC17019	Pivot Bracket
	20	MDC17020	Driver Sub

Product Number

# MDC170

### Technical Parameters

Length( Less bit)	1023mm
Weight( Less bit)	90 kg
External Diameter	φ156mm
Bit Shank	MDC170-175/185/195/200/210/220/230/240/250
Hold Range (mm)	φ175-φ250
Connection thread with drill bit	φ98-6
Connection thread with drill rod	M100 X 28 X 10P
Working Pressure	0.5-0.7Mpa
Air Consumption (m3/min)	19.5
Torque (J)	420
Impact frequency	≥790

Decomposition	Item	Part Number	Description
	1	MDC170- I 01	Top Sub
	2	MDC170- I 02	Valve Seal
	3	MDC170- I 03	Check Valve
	4	MDC170- I 04	Check Valve With Spring
	5	MDC170- I 05	Adjusting Pad
	6	MDC170- I 06	Compression Buffer
	7	MDC170- I 07	Rubber Ring
	8	MDC170- I 08	Valve Cover
	9	MDC170- I 09	Valve
	10	MDC170- I 10	Guide Tube
	11	MDC170- I 11	Pins
	12	MDC170- I 12	Check Valve Guide
	13	MDC170- I 13	Internal Cylinder
	14	MDC170- I 14	Piston
	15	MDC170- I 15	Piston Case
	16	MDC170- I 16	Guide Sleeve
	17	MDC170- I 17	Rubber Block
	18	MDC170- I 18	Spring
	19	MDC170- I 19	Parallel Pins
	20	MDC170- I 20	Pivot Bracket
	21	MDC170- I 21	Driver Sub

### Technical Parameters

Length( Less bit)	1023mm
Weight( Less bit)	90 kg
External Diameter	φ156mm
Bit Shank	MDC170-175/185/195/200/210/220/230/240/250
Hold Range (mm)	φ175-φ250
Connection thread with drill bit	φ98-6
Connection thread with drill rod	M100 X 28 X 10P
Working Pressure	0.5-0.7Mpa
Air Consumption (m3/min)	19.5
Torque (J)	420
Impact frequency	≥790

Product Number

# MDC170- I